


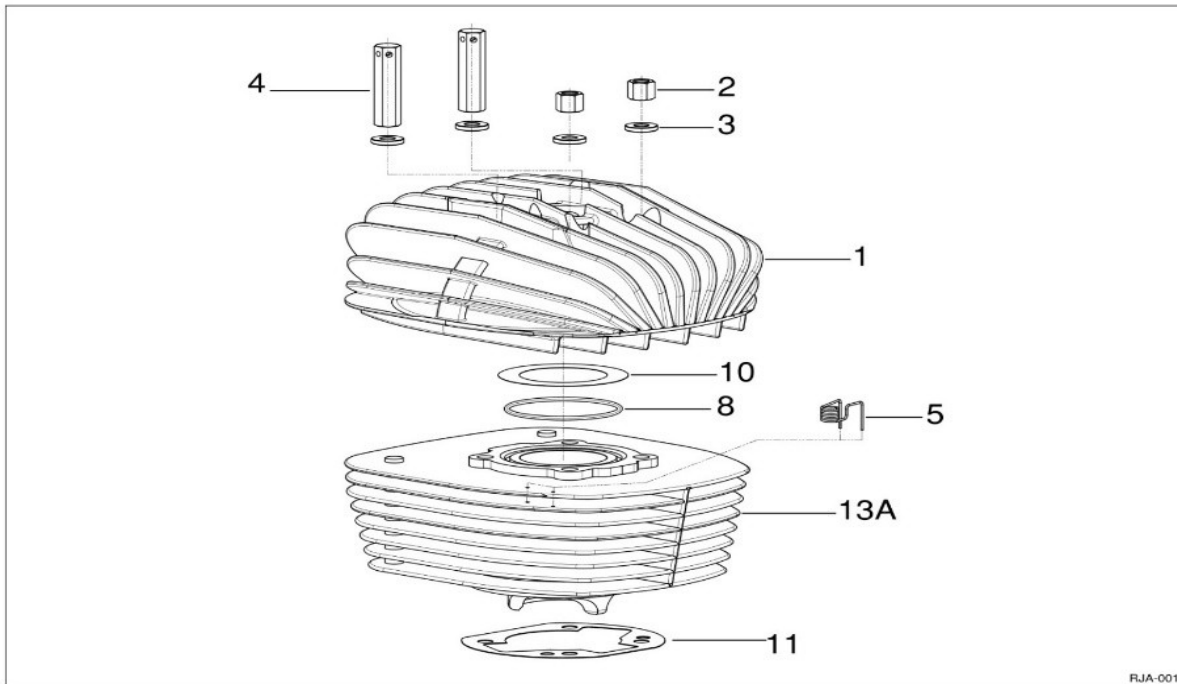
# REEDJET KA100

pos	code	description
0	202.051	Engine REEDJET KA100



# REEDJET KA100

## HEAD AND CYLINDER

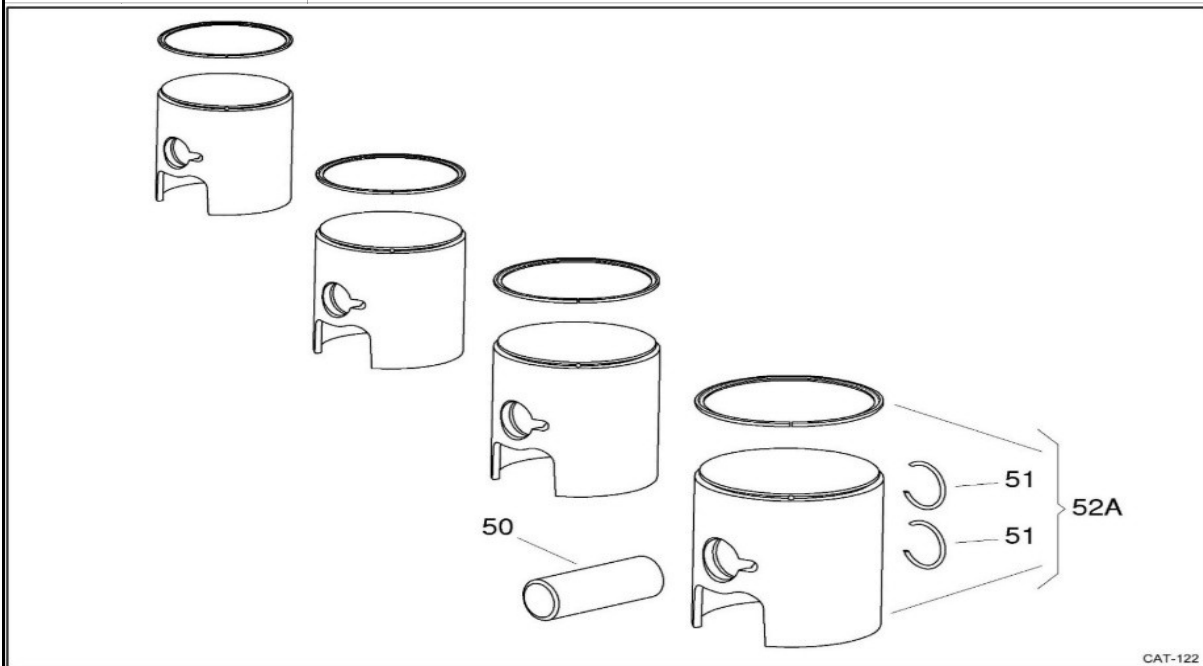


RJA-001

001	KA10	CYLINDER HEAD REEDJET
002	210.000	Head nut M8 X30
003	211.000	Head nut ring 8mm X30
004	KA11	NUT 8mm LONG / SEALING HOLE
005	KA12	SPRING, SPARK PLUG GUIDE CABLE
008	214.730	Head Gasket O-Ring X30
010	KA13	COPPER HEAD GASKET 0.05
010	KA14	COPPER HEAD GASKET 0.10
010	KA15	COPPER HEAD GASKET 0.15
011	214.180	Base gasket X30 0,40mm
011	214.175	Base gasket X30 0,20mm
011	214.173	Base gasket X30 0,10mm
011	214.171	Base gasket X30 0,05mm
011	214.177	Base gasket X30 0,30mm
013A	KA16	CYLINDER REEDJET

# REEDJET KA100

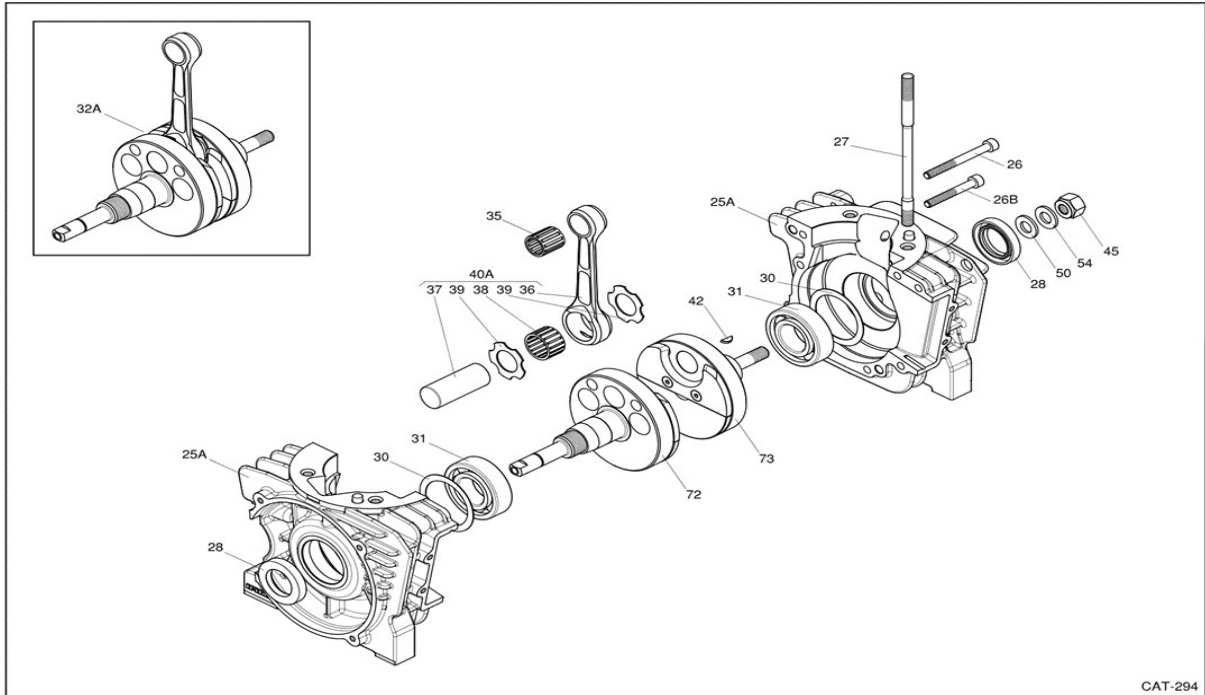
## PISTONS



050	KA17	Piston pin 14x39 >KA100<
051	KA18	CIRCLIP W/OUT TAILS
052A	KA19	PISTON 48.20g
052A	KA20	PISTON 48.22g
052A	KA21	PISTON 48.24g
052A	KA22	PISTON 48.26g
052A	KA23	PISTON 48.28g
052A	KA24	PISTON 48.30g
052A	KA25	PISTON 48.32g
052A	KA26	PISTON 48.34g
052A	KA27	PISTON 48.36g
052A	KA28	PISTON 48.40g
052A	KA29	PISTON 48.42g
052A	KA30	PISTON 48.44g
052A	KA31	PISTON 48.46g
052A	KA32	PISTON 48.48g
052A	KA33	PISTON 48.50g
052A	KA34	PISTON 48.52g

# REEDJET KA100

## CRANKCASE AND CRANKSHAFT

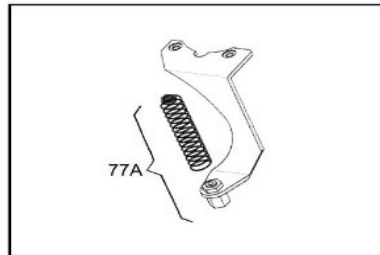
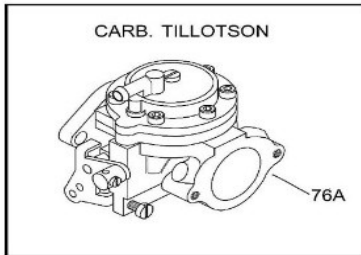
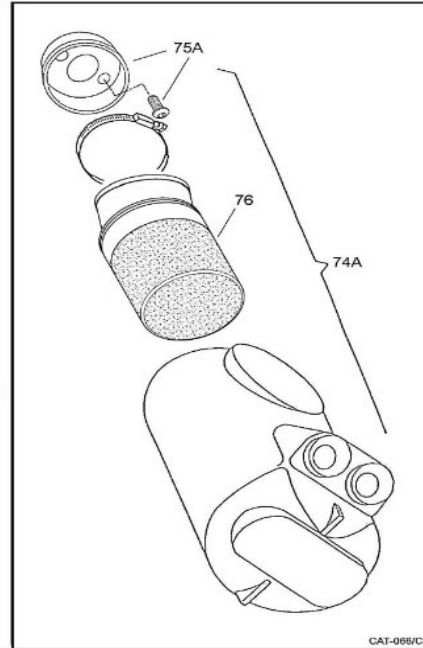
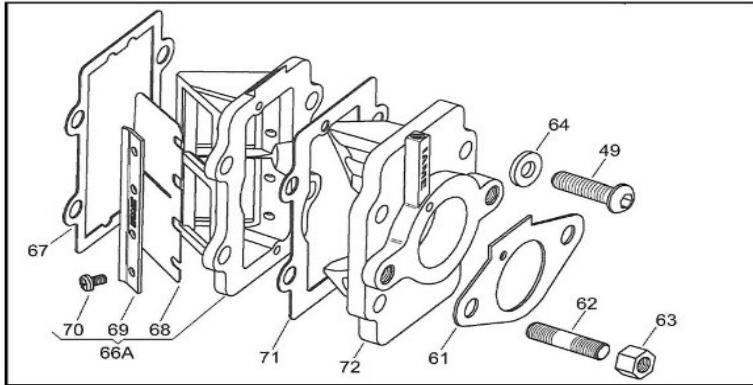


CAT-294

025A	KA35	CRANKCASE REEDJET
026	900.926	SCREWS 6x55
026B	236.222	KIT 20 PCS. CRANKCASE ALLEN SCREW 6X45mm
027	KA36	CYLINDER TIE-ROD 8x157
028	KA37	OIL SEAL MAGN./DRIVE SIDE
030	KA38	STEEL SHIM 0.15
030	225.100	Shim 52x0.10
031	224.110	Crankshaft bearing roller type 6205 BC-1
032A	KA40	CRANKSHAFT REEDJET KA100
035	KA41	SMALL END ROLLER CAGE
037	KA42	CRANKPIN 20x47mm REEDJET
038	221.200	Big-end cage >X-30 / OK / KF / KZ<
039	KA44	SILVER BRONZE WASHER
040A	KA45	CON-ROD ASSY 102mm / PIN 47 REEDJET
042	227.100	Key ignition >X30< 9.66X3.7X2.5
045	244.010	Magneto nut M10 - X30
050	900.075	KIT 20 PCS WASHER M10x18x1.6 FOR ROTOR
054	900.071	Washer 10,5x18x0,8 for rotor
072	KA46	HALFCRANK.TRANSM.S.SUDAM TaG
073	KA47	HALFCR. IG.S. DRAG/LEOP MY '09

# REEDJET KA100

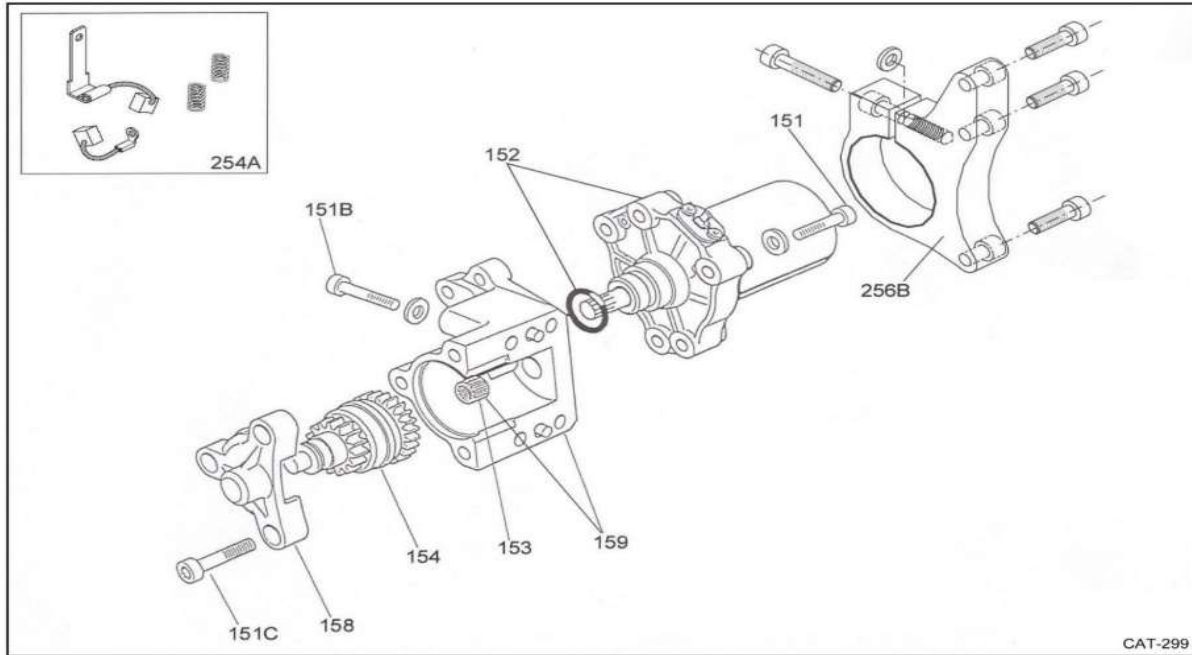
## INLET



049	900.234	Hexagon socket bolt 6x25
061	354.060	Inlet gasket X30 28mm >RED<
062	KA49	FIX.CARB.STUDBOLT 6x25
063	KA50	20 HEXAGONAL NUTS KIT M6
064	900.004	Washer 6-12x1,5mm
066A	228.310	Reed group with carbon reed petals >Parilla X30<
066A	KA51	FIBERGLASS REED BLOCK
067	228.102	Gasket reedgroup/crankcase >Parilla X30<
068	228.218	Reed petal kit carbo -X30- 2-ST 0.25mm
068	228.222	Reed petal (1-PC) >Parilla X30 0.30mm<
069	228.252	Reed clip >Parilla X30<
070	KA52	KIT 20 SCREWS 1/2 CR.HEAD 3X5
071	228.002	Gasket reed group/manifold >Parilla X30<
072	228.020	Inlet manifold 28mm >Parilla X30<
074A	KA53	INLET SILENCER SOCOREM + AIR FILTER
076	580.240	Noise filter rubber with filter >X30<
076A	KA54	CARBURETOR TILL. HW33A
077A	KA55	CARBURETOR BRACKET

# REEDJET KA100

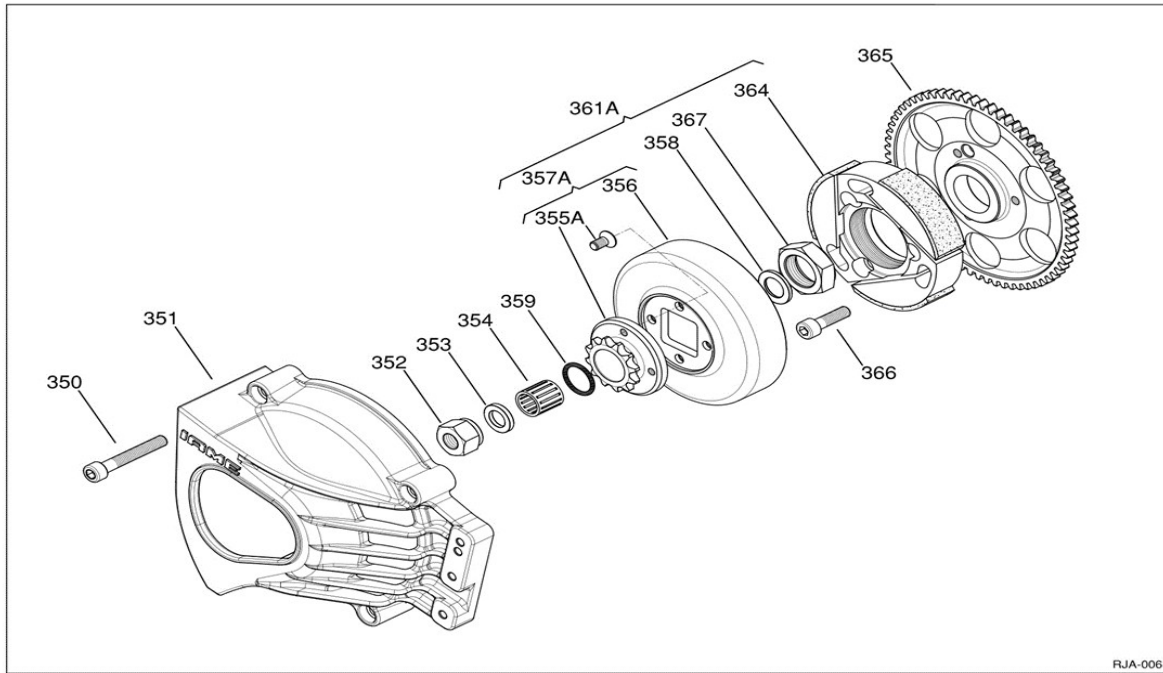
## ELECTRIC STARTER GROUP



151	900.305	Hexagon socket bolt 6x35
151B	236.222	KIT 20 PCS. CRANKCASE ALLEN SCREW 6X45mm
151C	900.234	Hexagon socket bolt 6x25
152	KA57	STARTER MOTOR**
153	291.711	Roller cage for bendix Mlni GR-3 / X30 / Mini-pro
154	291.720	Countershaft for Parilla X30
158	KA58	BENDIX SUPPORT
159	KA59	COUNTERSH.SUPPORT TaG W/ROLLER
254A	330.826	Brushes kit for starter A-120850
256B	291.703	Support suppl. for starter >X30 Super Shifter<

# REEDJET KA100

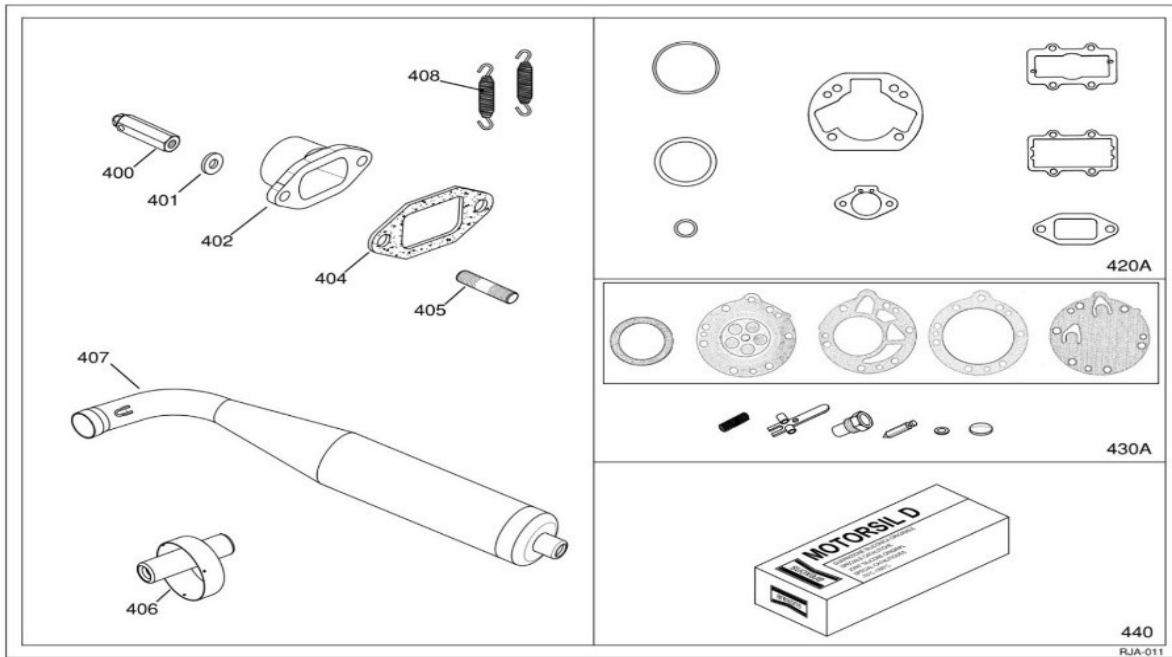
## CLUTCH GROUP



350	900.235	Binnenzeskantbout 8.8 6x 30
351	KA61	CLUTCH GUARD REEDJET KA100 BLACK
352	290.730	Sprocket nut clutch >IAME<
353	290.740	Thrust washer external >X30 / MINI<
354	291.380	Clutch roller cage >Parilla X30 - SWIFT 60cc<
354	KA62	BUSH FOR Z9 SPROCKET
355A	291.350	Sprocket Z9 >X30 - Mini<
355A	291.348	Sprocket T-10 >Mini - X30<
355A	291.347	Sprocket T-11 >Mini - X30<
355A	291.346	Sprocket T-12 >Mini - X30<
356	291.335	Sprocket drum >Parilla X30<
357A	KA64	CLUTCH DRUM BLIND + SPR Z10*
357A	KA65	CLUTCH DRUM BLIND + SPR Z11*
357A	KA66	CLUTCH DRUM BLIND + SPR Z12*
358	290.880	Thrust washer internal 1.8mm
359	291.381	Clutch drum OR >Parilla X30 / MINI<
361A	KA67	CLUTCH GROUP Z10
361A	KA68	CLUTCH GROUP Z11
361A	KA69	CLUTCH GROUP Z12
364	291.421	Clutch for Parilla X30 >2013<
365	KA70	START.WHEEL REEDJ-AU/LEOP MY09
366	KA71	KIT 20 SCREWS M6X16 TECNIC 150
367	291.442	Locking nut for clutch >Parilla X30< -2013-

# REEDJET KA100

## EXHAUST GROUP & GASKETS SET.

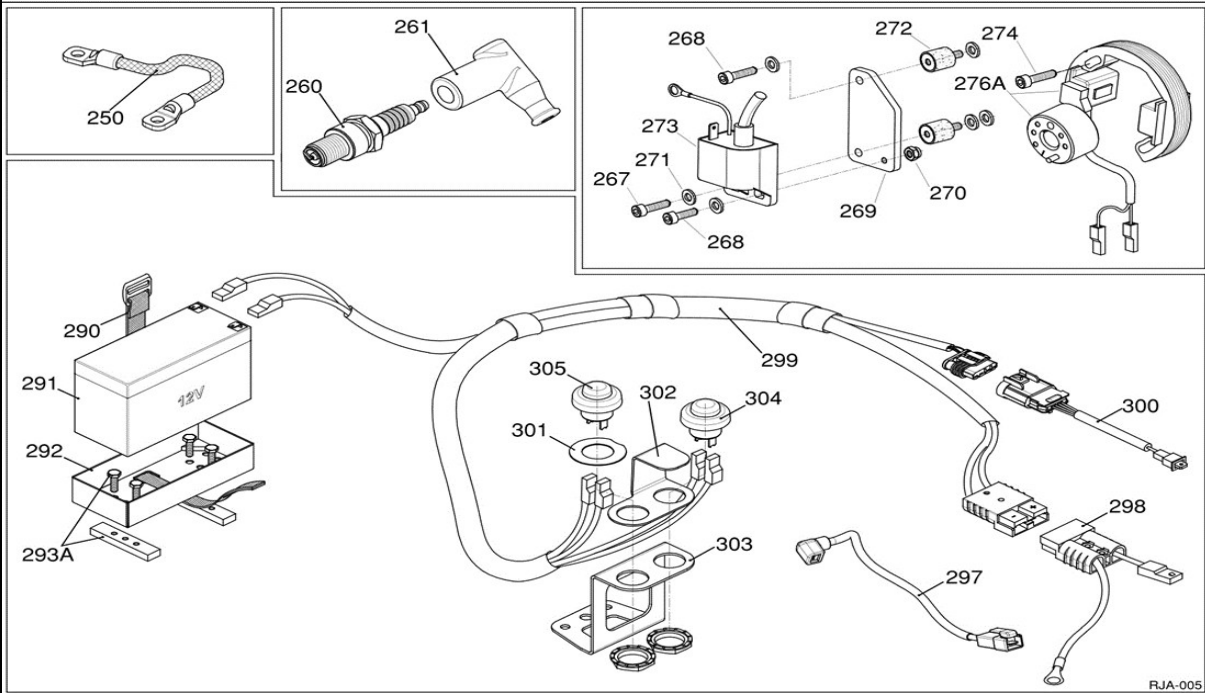


400	KA72	PIERCED EXHAUST NUT
401	211.100	Head nut washer X30 SUPER - SHIFTER kit
402	KA73	EXHAUST MAN. REEDJET KA100
402	KA74	EXHAUST MAN. REEDJET KA100 d.22mm Type 1
403	KA75	EXHAUST MAN. REEDJET KA100 d.22mm Type 3
404	214.515	Exhaust gasket -X30-
405	266.010	Exhaust studbolt 8 X36mm
406	KA76	EXHAUST END
407	KA77	EXHAUST MUFFLER REEDJET KA100
408	280.205	Exhaust spring >X30 2019 S. Shifter / Screamer / OK<
420A	KA78	GASKET SET - REEDJET AUS
440	575.000	Silikon 250 special gasket



# REEDJET KA100

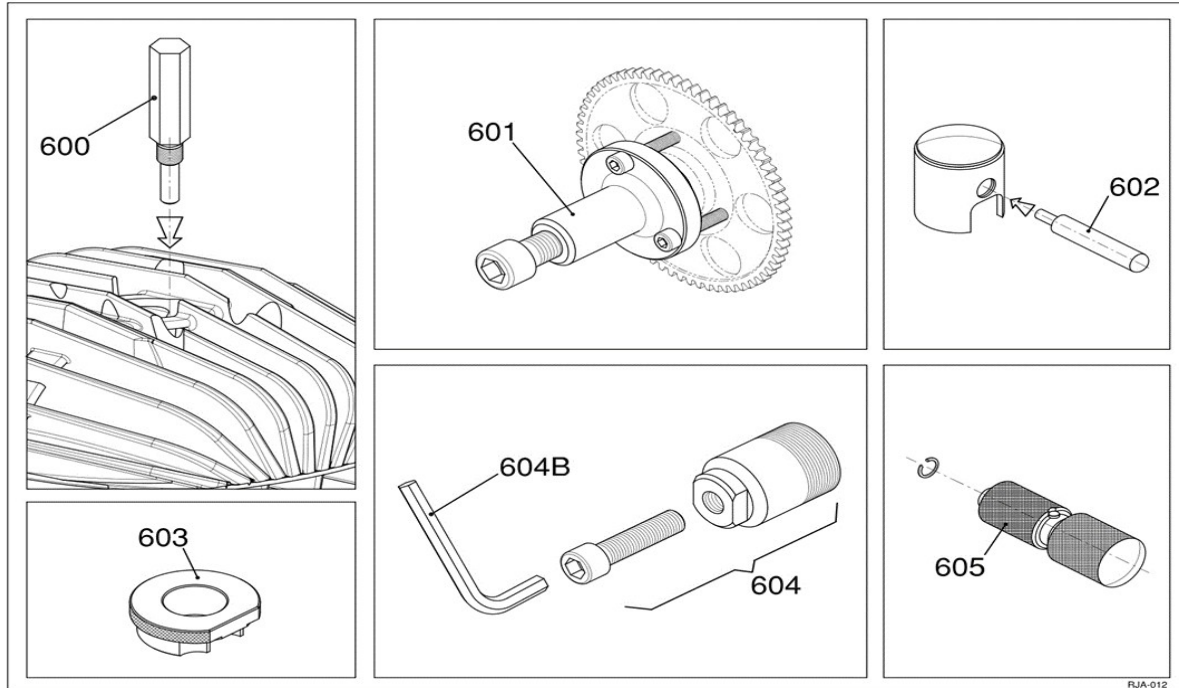
## ELECTRONIC IGNITION



260	503.051	Spark plug >NGK BR10EG<
261	237.505	Spark plug cap PVL >X30 / MINI<
267	903.000	Kit 20 pcs. screws TCCE 5x20
268	243.592	Allen screw M5x16
269	330.678	Coil support >Mini Swift / Waterswift<
270	KA79	20 SELF LOCKING NUTS KIT M6
271	900.002	Washer Ø 5mm
272	335.110	SILENTBLOCK W / SCREW LEOPARD/GAZELLE
273	330.680	Coil Selettra >Mini Swift-Pro M / Waterswift<
274	900.216	Hexagon socket bolt 5x25
276A	KA81	IGNITION 2 POLES '14*
290	330.812	Battery fixing belt >X30 / MINI<
292	330.808	Battery support Parilla X-30 / MINI
293A	330.901	Battery support clamb 30mm >after 2013<
297	330.320	Starter cable >Mini Swift Pro-M<
298	330.325	Starter cable with red connector
299	330.877	Cables w/connectors Parilla X30 >2020<
300	330.890	Adapter ignition 2 poles
302	330.904	Security bracket start button >X30 '20 / Mini GR-3<
303	330.908	Button support plate X30 >2020<
304	330.867	Start button >Parilla X30 - 2016<
305	330.898	Stop button >X30 2020<

# REEDJET KA100

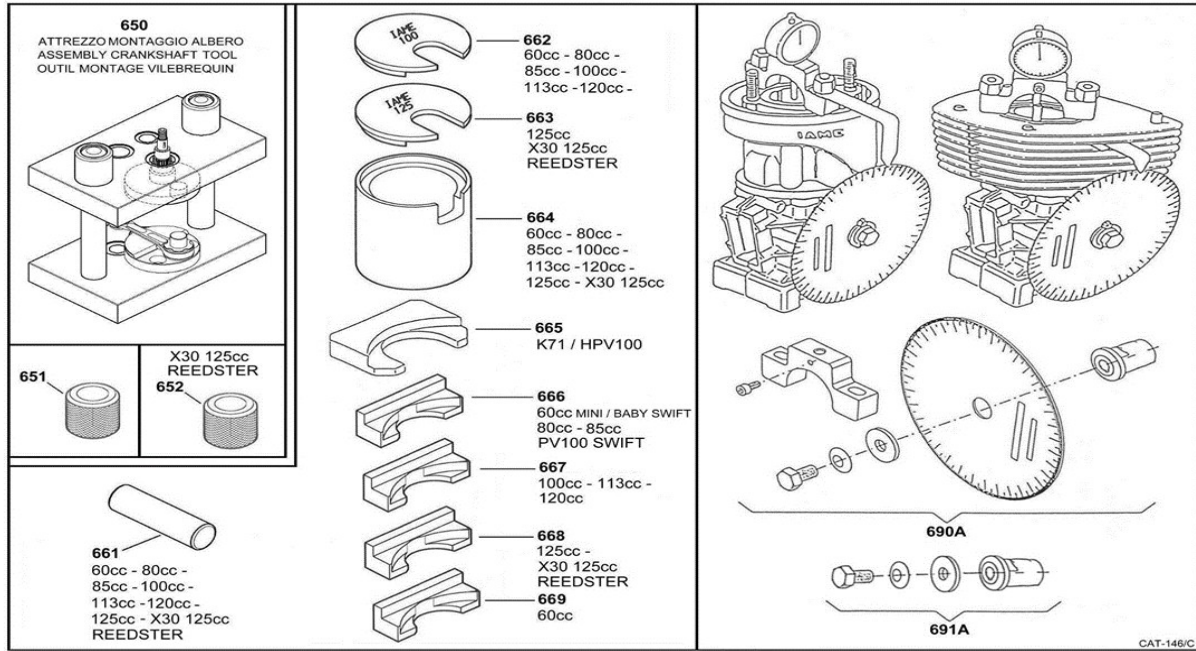
## PULLER & TOOLS



600	KA82	PISTON STROKE LOCKER
601	KA83	STARTER GEAR PULLER X30 SHIFT.
602	574.034	Piston pin punch >14mm< -X30-
603	KA84	S. WHEEL LOCKING TOOL KF/LE/DR
604	573.506	Clutch puller X30 from 2013
604B	KA85	CLUTCH HUB PULLER WRENCH 12mm
605	574.038	Circlip assembly tool 14mm

# REEDJET KA100

## CRANKSHAFT ASS./DISASS. TOOL & TIMING GROUP LS



650	574.101	Crankshaft assembly tool
652	574.103	Crankpin bush >X-30 - KF - KZ<
661	574.104	Crankpin pusher
663	574.117	Crankshaft plate >X-30 / KF / KZ<
664	574.115	Crankshaft disassembling tool without plate
668	574.108	Crankshaft insert 125cc / X-30 / KF
690A	KA86	TIMING CHECK DISC TaG/REEDSTER
691A	KA87	TIMING CHECK DISC ADAPTER M10