

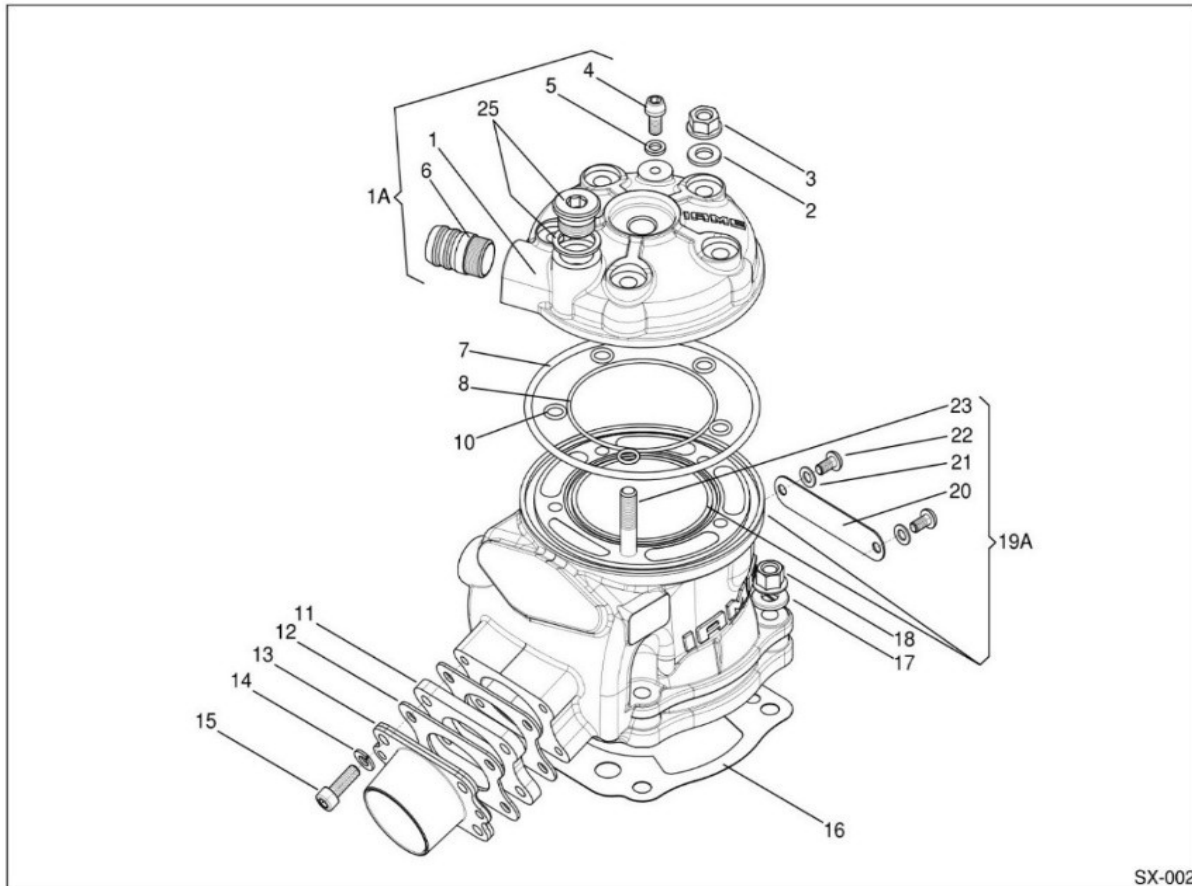
# X30 Super

pos	code	description
0	201.520	Engine X30 SUPER



# X30 Super

## HEAD AND CYLINDER



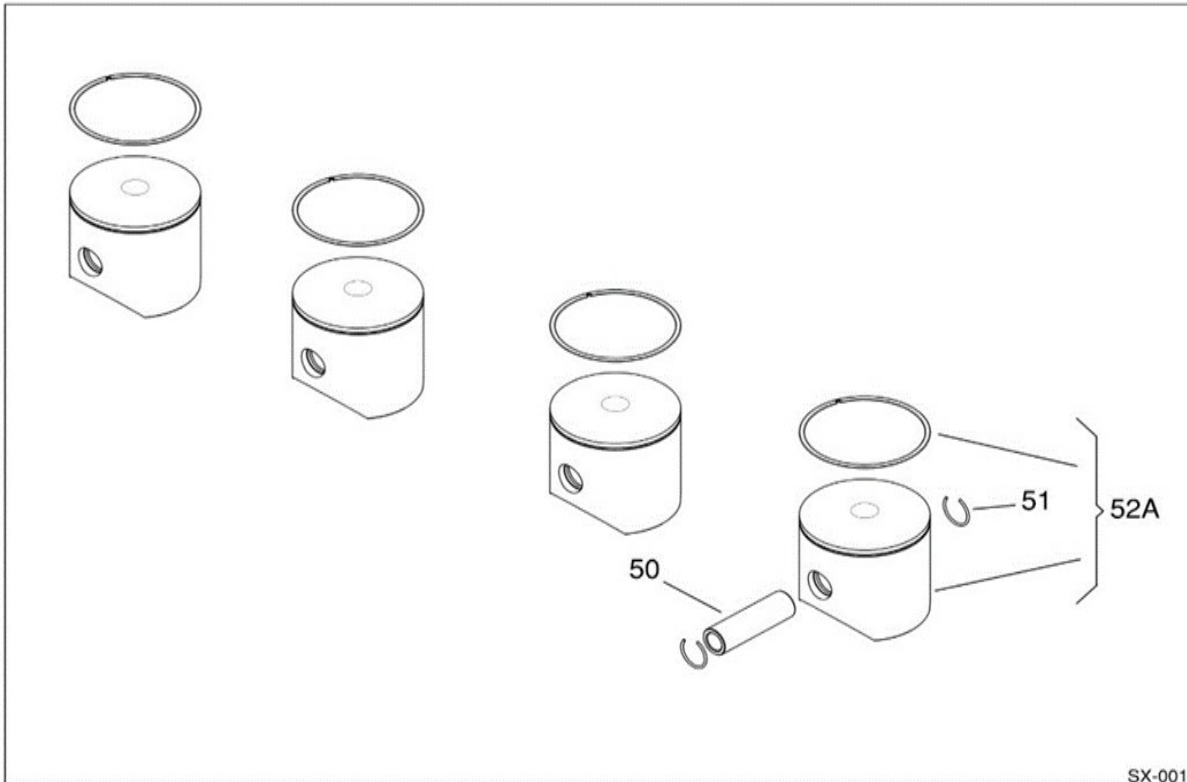
1	212.065	Cylinder head X30-SUPER
1A	#N/B	#N/B
2	211.100	Head nut washer X30 SUPER - SHIFTER kit
3	#N/B	#N/B
4	#N/B	#N/B
5	282.200	Cupper gasket 6mm
6	213.220	Hose connection Parilla X30 - OK'19 - OKJ'19
7	214.743	Head O-ring outside Reedster OK / KZ/X30 super
8	214.775	Head O-ring cilinderbus X30 Super / S. Shifter
9	#N/B	#N/B
9	#N/B	#N/B
9	#N/B	#N/B
10	214.760	Head O-ring X30 / KF / KZ small
11	214.520	Exhaust manifold spacer >X30 SUPER / SUPER-SHIFTER<
12	214.524	Exhaust gasket >X30 Super-Shifter<
10	265.202	Exhaust manifold >X30 SUPER<
14	900.081	Exhaust washers M6 >EXHAUST<
15	900.232	Hexagon socket screw 6x18

# X30 Super

16	214.182	Base gasket X30 Super / Super-shifter / KZ 0.20mm
16	214.183	Base gasket X30 super / Super-shifter / KZ 0,40mm
16	214.184	Base gasket X30 Super / Super-shifter / KZ 0,50mm
17	211.101	Head ring washer X30 super
18	211.200	Head nut 8mm cylinder REEDSTER OK '18 / KZ / X30 SHIFTER
019A	213.181	Cilinder PARILLA X30 >super<
20	213.186	Name plate X30 super
21	900.002	Washer Ø 5mm
22	900.211	Hexagon socket bolt 5x10
23	276.216	STUD BOLT M8x57.7
25	213.235	Cylinder head plug M18x1.5

# X30 Super

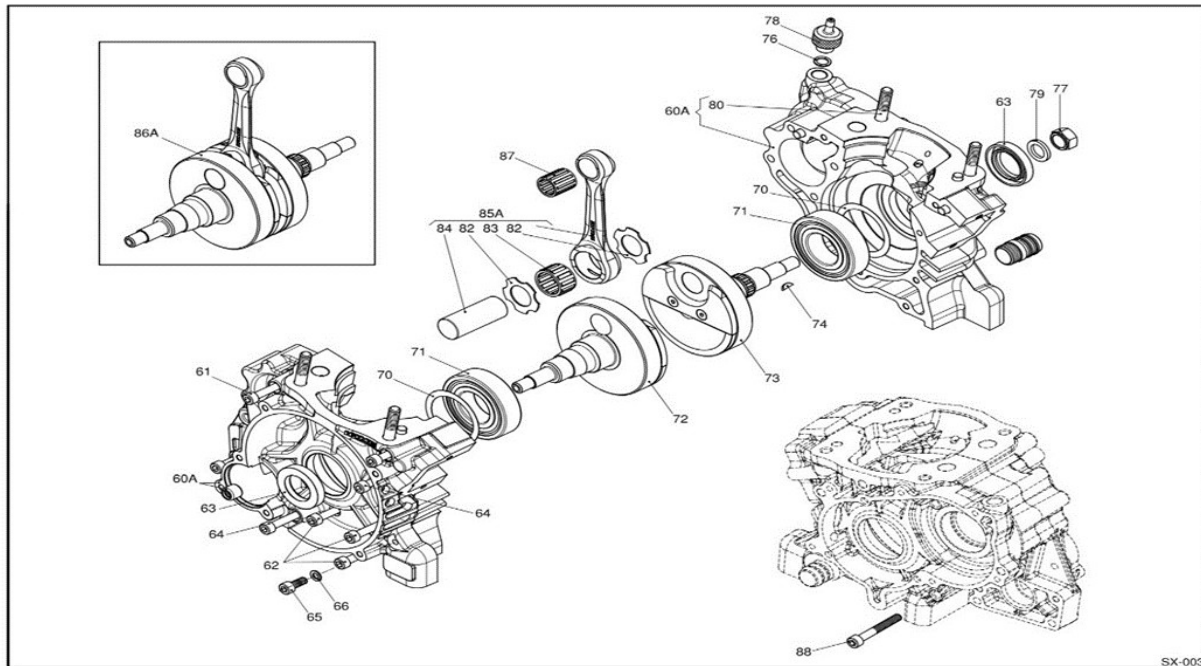
## PISTONS



50	217.045	Pistonpin 15x49 >X30 Super / Super-Shifter<
51	218.200	Circlip piston pin >X30 Super-Shifter-OK< >15mm<
52A	216.100	Piston+ring+pistonpin 63.78V
52A	216.102	Piston+ring+pistonpin 63.80V
52A	216.104	Piston+ring+pistonpin 63.82V
52A	216.106	Piston+ring+pistonpin 63.84V
52A	216.108	Piston+ring+Pistonpin 63.86V
52A	216.110	Piston+ring+Pistonpin 63.88V
52A	216.112	Piston+ring+Pistonpin 63.90V
52A	216.114	Piston+ring+Pistonpin 63.92V
52A	216.116	Piston+ring+Pistonpin 63.94V
52A	#N/B	#N/B
52A	#N/B	#N/B
52A	#N/B	#N/B
52A	#N/B	#N/B
52A	#N/B	#N/B
52A	#N/B	#N/B

# X30 Super

## CRANKCASE AND CRANKSHAFT



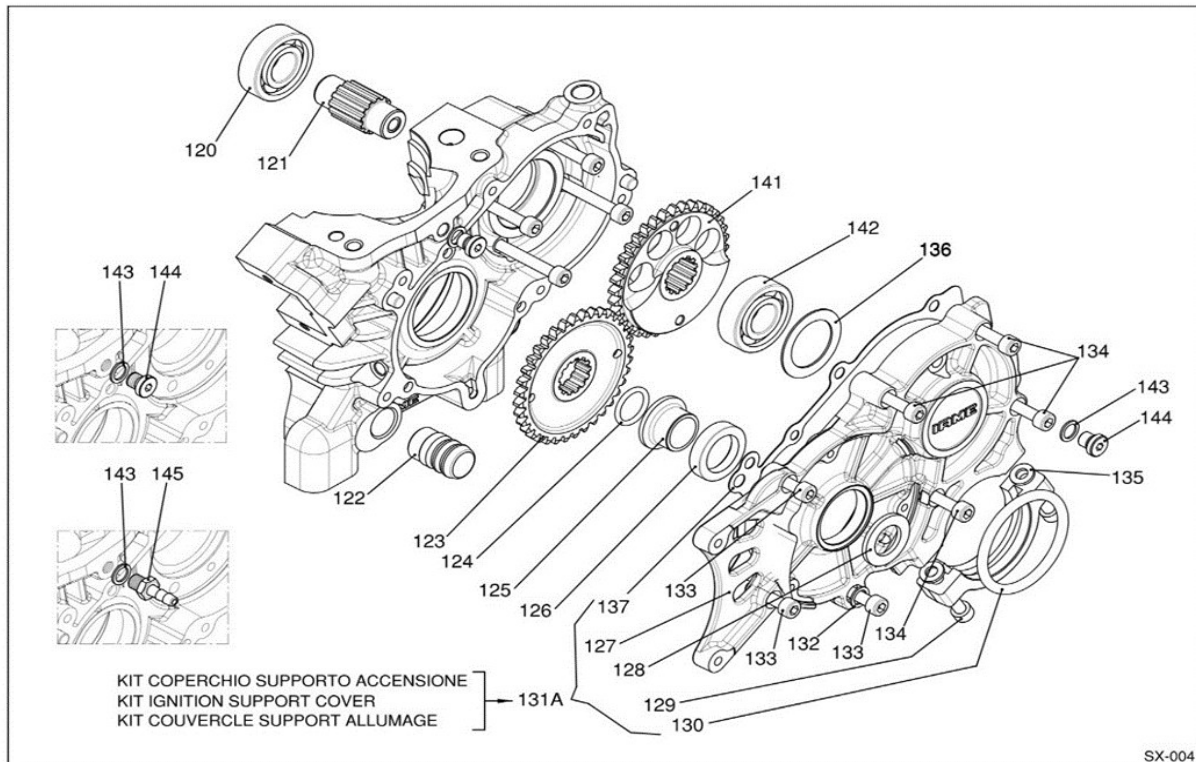
60A	236.312	CRANKCASE PARILLA X30 SUPER
61	900.313	Binnenzeskantbout 6x70
62	236.222	KIT 20 PCS. CRANKCASE ALLEN SCREW 6X45mm
63	223.510	Oil seal 25x40x7 >Dr.+Magn. side< X30+KF+OK
64	900.312	Allen screw 6X65
65	900.234	Hexagon socket bolt 6x25
66	900.004	Washer 6-12x1,5mm
70	225.116	Shim 0.05mm PARILLA X30
70	225.110	SHIM 0.10mm PARILLA X30
	225.115	SHIM 0.15mm PARILLA X30
71	224.135	Crankshaft bearing >X30 SKF 6206-C4<
72	226.190	HALF CRANKSHAFT DRIVE SIDE PARILLA X-30 SUPER
73	226.193	HALF CRANKSHAFT IGN. SIDE PARILLA X-30 SUPER
74	227.100	Key ignition >X30< 9.66X3.7X2.5
76	228.112	Pressure fitting gasket >Screamer / X30 Super<
77	244.010	Magneto nut M10 - X30
78	228.099	Oil drain / refill plug Screamer/ X30 Super
79	900.075	KIT 20 PCS WASHER M10x18x1.6 FOR ROTOR
80	276.200	Cylinder head stud M8x35 >S.Shifter / OK / OKJ / Screamer
82	KA44	SILVER BRONZE WASHER
83	221.200	Big-end cage >X-30 / OK / KF / KZ<
84	220.106	Crankpin 20x48.8 OK-OKJ >S1699/1<
085A	219.310	CONROD 104mm COMPLETE >X30 SUPER<

# X30 Super

086A	226.116	CRANKSHAFT COMPLETE PARILLA X30 SUPER
87	277.205	Little end cage >X30 Shifter / KZ / OK<
88	900.926	SCREWS 6x55

# X30 Super

## BALANCING SHAFT



120	282.057	Ball bearing balance shaft 6203 >X30 Super / OK - OKJ<
121	282.066	BALANCE GEAR DRIVE SHAFT X30 SUPER
122	213.220	Hose connection Parilla X30 - OK'19 - OKJ'19
123	282.071	BALANCE GEAR X30 SUPER
124	282.100	O-R for balancing shaft gear >Parilla X30<
125	282.105	Gear spacer >Parilla X30<
126	223.520	Oil seal cover ignition side >Parilla X30 - 22X32X7<
127	282.172	COVER IGNITION SIDE PARILLA X30 X30 SUPER
128	330.216	ROTOR SPACER WASHER X30 SUPER
129	900.234	Hexagon socket bolt 6x25
130	282.090	Dampener O-R for starter >Parilla X30 / REEDSTER<
131A	282.172	COVER IGNITION SIDE PARILLA X30 X30 SUPER
132	282.200	Cupper gasket 6mm
133	903.026	KIT OF 20 ALLEN SCREWS 6X20
134	900.235	Binnenzeskantbout 8.8 6x 30
135	900.004	Washer 6-12x1,5mm
137	282.112	COVER GASKET PARILLA X-30 SUPER
141	282.067	COUNTERBALANCE SHAFT SUPER

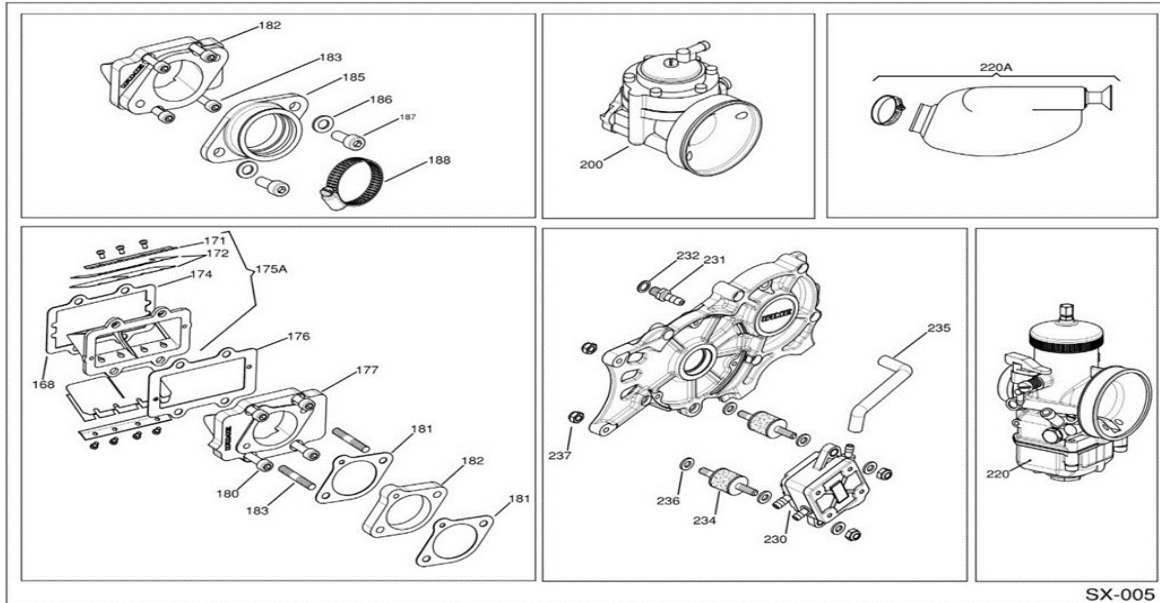
# X30 Super

142	282.057	Ball bearing balance shaft 6203 >X30 Super / OK - OKJ<
143	228.110	Pressure fitting gasket 8mm >OK / X30 / KZ<
144	236.350	Oil plug >OK / KZ <
145	228.098	Pressure fitting >X30
146	#N/B	#N/B
147	900.002	Washer Ø 5mm
148	900.017	Allen screw 5x18



# X30 Super

## INLET

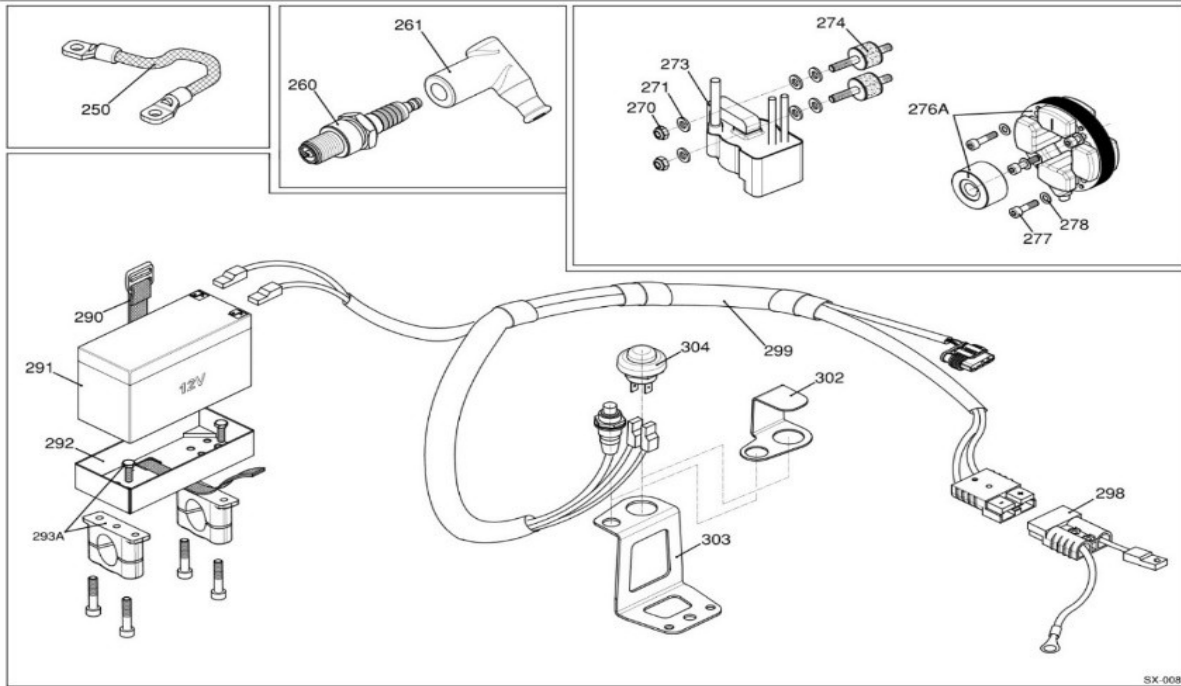


SX-005

170	228.105	GASKET REED-GROUP/CRANKCASE >X30 SUPER<
171	228.255	Reed group clip >OK / OKJ<
172	228.230	Reed petal set 0.26 complete >X30 SUPER - REEDSTER<
174	228.105	GASKET REED-GROUP/CRANKCASE >X30 SUPER<
175A	228.320	REED GROUP >X30 SUPER<
176	228.005	GASKET REEDGROUP/MANIFOLD >X30 SUPER<
177	228.021	INLET MANIFOLD >X30 SUPER<
180	903.026	KIT OF 20 ALLEN SCREWS 6X20
181	354.062	Inlet gasket >X30 Super<
182	228.022	Inlet manifold spacer >X30 SUPER<
183	#N/B	#N/B
200	340.158	Carburetor Tillotson HB10A X30 Super
220A	580.242	NOISE FILTER -RR- "NOX" 30MM RED - CHROME

# X30 Super

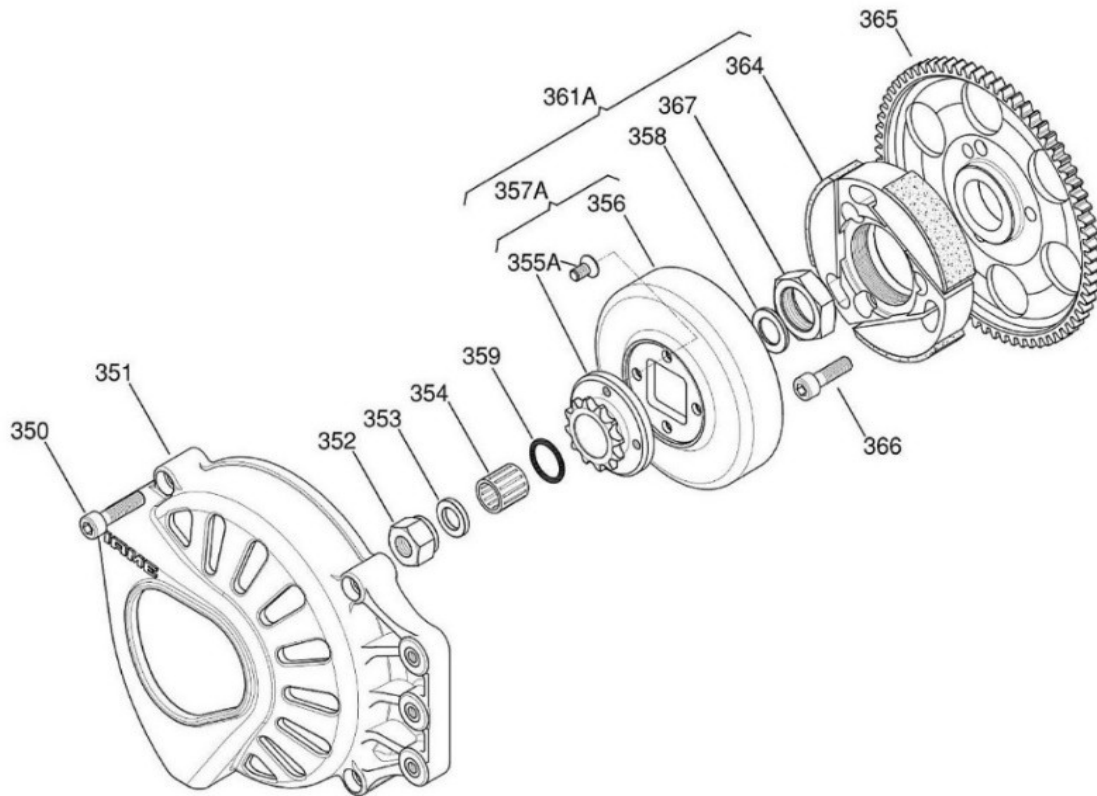
## ELECTRONIC IGNITION



250	330.803	Ground cable Parilla all models
260	503.051	Spark plug >NGK BR10EG<
261	237.505	Spark plug cap PVL >X30 / MINI<
270	KA79	20 SELF LOCKING NUTS KIT M6
271	900.004	Washer 6-12x1,5mm
273	330.852	Coil / CDI box X30 >C< >2016<
274	335.105	Coil dampener >Parilla X30 / S. Shifter<
276A	330.684	Ignition Selettra >Parilla X30 - 2016<
277	900.216	Hexagon socket bolt 5x25
278	900.002	Washer Ø 5mm
290	330.812	Battery fixing belt >X30 / MINI<
292	330.808	Battery support Parilla X-30 / MINI
293A	330.901	Battery support clamb 30mm >after 2013<
293A	330.902	Battery support clamb 32mm >after 2013<
298	330.325	Starter cable with red connector
299	330.877	Cables w/connectors Parilla X30 >2020<
302	330.904	Security bracket start button >X30 '20 / Mini GR-3<
303	330.908	Button support plate X30 >2020<
304	330.867	Start button >Parilla X30 - 2016<

# X30 Super

## CLUTCH GROUP



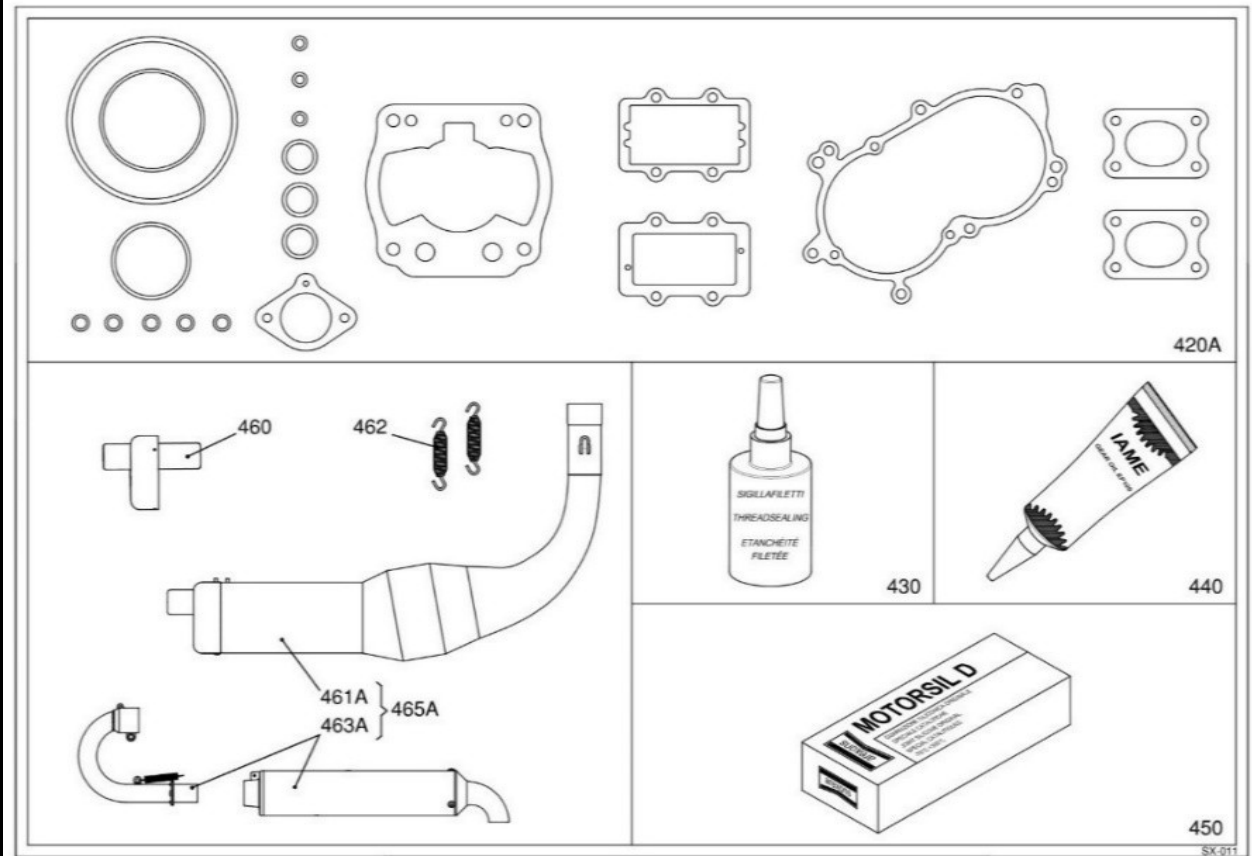
350	900.234	Hexagon socket bolt 6x25
351	291.211	Clutch cover >X-30 SUPER<
352	290.730	Sprocket nut clutch >IAME<
353	290.740	Thrust washer external >X30 / MINI<
354	291.380	Clutch roller cage >Parilla X30 - SWIFT 60cc<
355A	291.348	Sprocket T-10 >Mini - X30<
355A	291.347	Sprocket T-11 >Mini - X30<
355A	291.346	Sprocket T-12 >Mini - X30<
355A	291.349	Sprocket T-13 >Mini - X30
356	291.335	Sprocket drum >Parilla X30<
357A	KA64	CLUTCH DRUM BLIND + SPR Z10*
357A	KA65	CLUTCH DRUM BLIND + SPR Z11*
357A	KA66	CLUTCH DRUM BLIND + SPR Z12*
358	290.880	Thrust washer internal 1.8mm
359	291.381	Clutch drum OR >Parilla X30 / MINI<
361A	KA67	CLUTCH GROUP Z10
361A	KA68	CLUTCH GROUP Z11
361A	KA69	CLUTCH GROUP Z12
364	291.421	Clutch for Parilla X30 >2013<
365	291.512	Starter wheel >Parilla X30< >2013<

# X30 Super

366	900.301	Hexagon socket bolt 6x20
367	291.442	Locking nut for clutch >Parilla X30< -2013-

# X30 Super

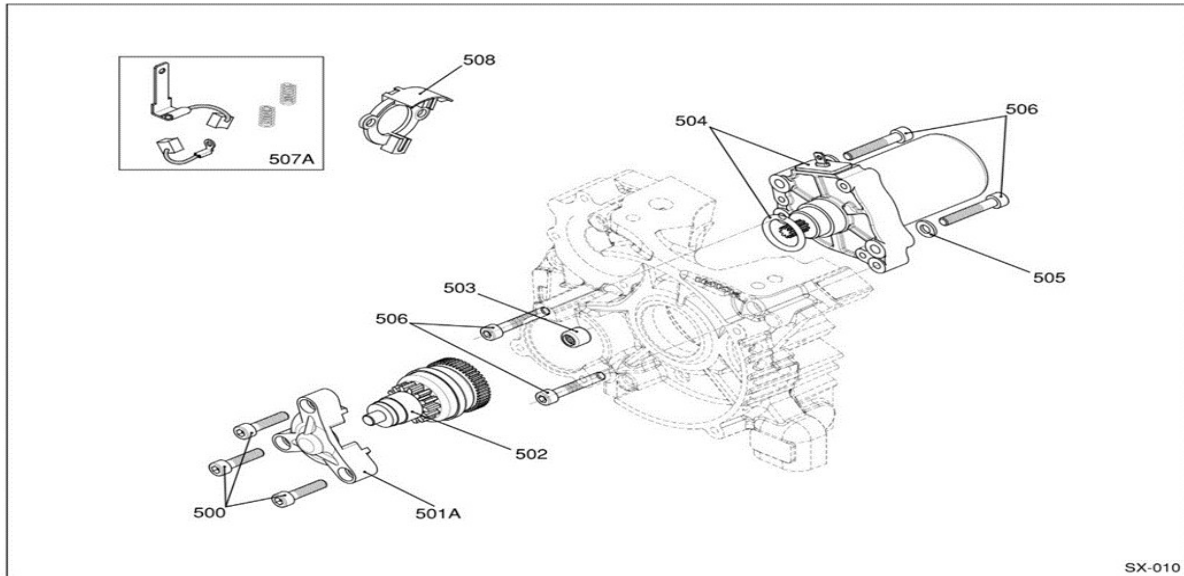
## EXHAUST GROUP & GASKETS SETS



420A	214.907	Gasket set X30 super
430	575.005	Pipe fitting seal >IAME<
440	550.571	PM Xeramic® Kart Gear Oil 1 l
450	575.000	Silikon 250 special gasket
460	267.502	Silencer eind Parilla >X30 SUPER<
461A	267.165	EXHAUST SILENCER PARILLA -X30 SUPER-
462	280.205	Exhaust spring >X30 2019 S. Shifter / Screamer / OK<
463A	267.555	Additional silencer kit >Parilla X30<

# X30 Super

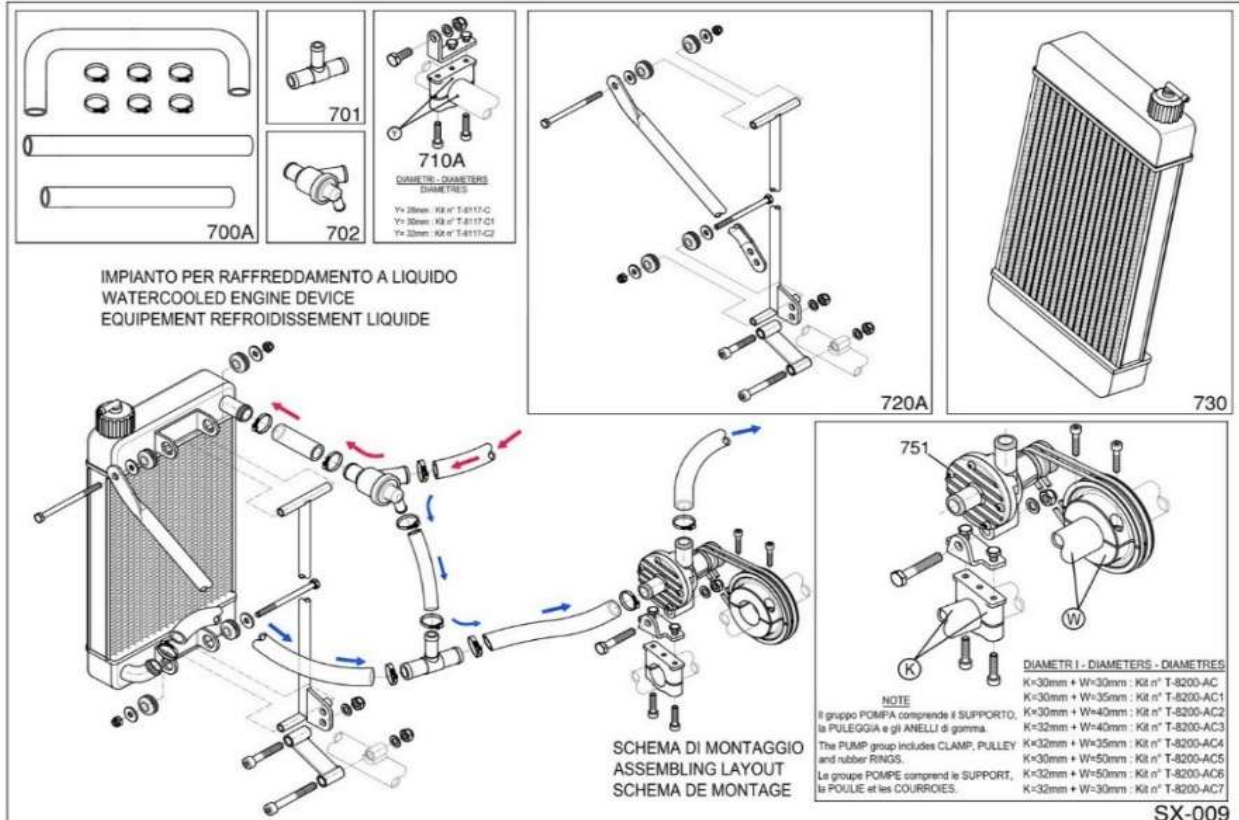
## ELECTRIC STARTER GROUP



500	900.234	Hexagon socket bolt 6x25
501A	291.728	Countershaft support >X30 SUPER<
502	291.720	Countershaft for Parilla X30
503	291.711	Roller cage for bendix MIni GR-3 / X30 / Mini-pro
504	291.700	Starter for Parilla X30 >A-120851A<
505	900.004	Washer 6-12x1,5mm
506	900.305	Hexagon socket bolt 6x35
507A	330.826	Brushes kit for starter A-120850

# X30 Super

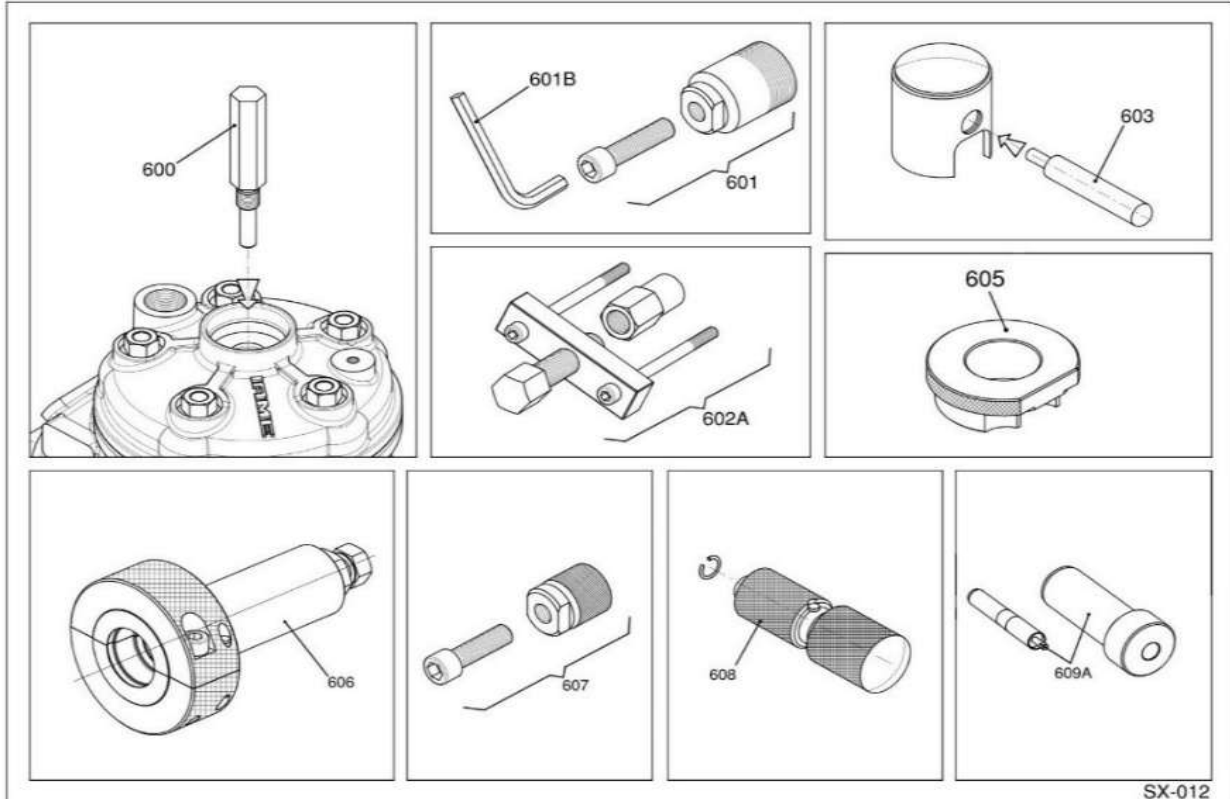
## WATER COOLING SYSTEM



700A	196.170	WATER PIPE KIT >PARILLA X30 SHIFTER<
701	299.945	WATER PIPE 3-WAY FITTING >PARILLA<
702	299.947	THERMOSTAT 3-WAY >PARILLA<
710A	299.927	Radiator clamb kit complete >MINI SWIFT 28mm<
710A	299.912	RADIATOR CLAMB KIT 30mm
720A	299.913	RADIATOR CLAMB KIT 32mm
730	299.935	RADIATOR SUPPORT COMPLETE -PARILLA X30 SHIFTER<
751	299.940	RADIATOR -IPARILLA X30 SHIFTER< 436X260
751	#N/B	#N/B
751	#N/B	#N/B
751	#N/B	#N/B
751	#N/B	#N/B
751	#N/B	#N/B
751	#N/B	#N/B
751	#N/B	#N/B
751	195.326	Waterpump group mm32/50 >ALUM<
751	#N/B	#N/B

# X30 Super

## PULLER & TOOLS



SX-012

600	KA82	PISTON STROKE LOCKER
601	573.506	Clutch puller X30 from 2013
601B	KA85	CLUTCH HUB PULLER WRENCH 12mm
602A	573.515	Gear puller balance shaft >REEDSTER KF<
603	574.035	Piston pin punch >15mm Super Shifter<
605	573.510	Gear lock tool >REEDSTER OK / OKJ<
606	573.520	Bearing ring puller 6205
607	572.045	Ignition puller PVL >REEDSTER OK / OKJ<
608	574.037	Circlip assembly tool 15mm
608	#N/B	#N/B