

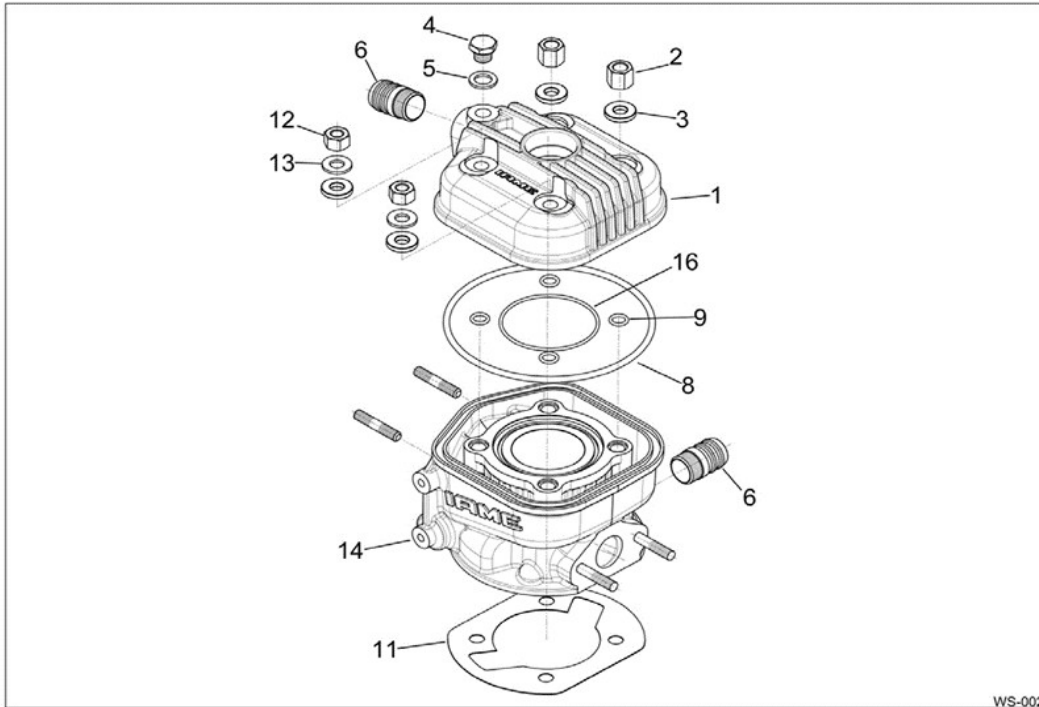
# X30 WATERSWIFT

pos	code	description
0	201.470	Engine X30 WATER SWIFT
		<b>X30 WATER SWIFT (60cc)</b>



# X30 WATERSWIFT

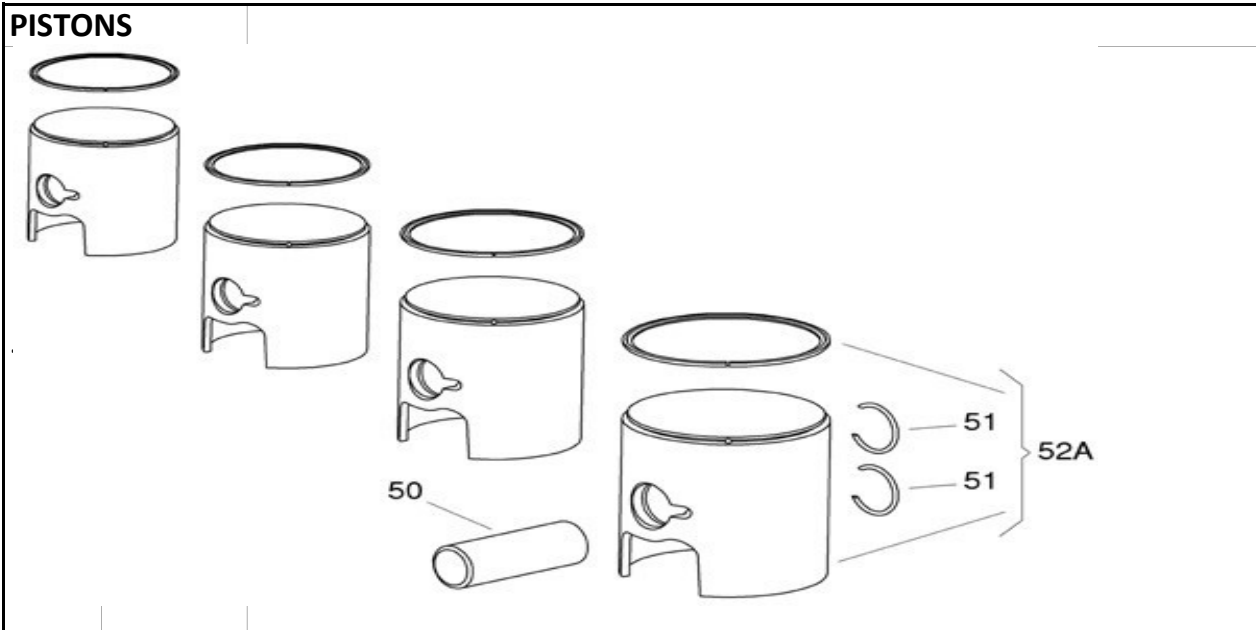
## HEAD AND CYLINDER



WS-002

1	212.036	Cylinder head Mini-Waterswift 60cc
2	210.000	Head nut M8 X30
3	211.000	Head nut ring 8mm X30
4	213.233	Temp Gauge Brass Head Plug X30 KZ
5	213.232	Vent plug gasket X30-KZ
6	213.220	Hose connection Parilla X30 - OK'19 - OKJ'19
8	214.770	Head Gasket O-Ring big X30
9	214.760	Head O-ring X30 / KF / KZ small
10	214.710	Cylinder Head Gasket MINI-SWIFT 0.05
10	214.711	Cylinder Head Gasket MINI-SWIFT 0.10
11	214.039	Base gasket Mini-Swift Pro 0.05mm
11	214.038	Base gasket Mini-Swift Pro 0.10mm
11	214.037	Base gasket Mini-Swift Pro 0.20mm
11	214.043	Base gasket Mini-Swift Pro 0.30mm
11	214.040	Base gasket Mini-Swift Pro 0.40mm
12	#N/B	#N/B
13	#N/B	#N/B
14	213.105	Cylinder mini-waterswift 60cc
15	214.040	Base gasket Mini-Swift Pro 0.40mm

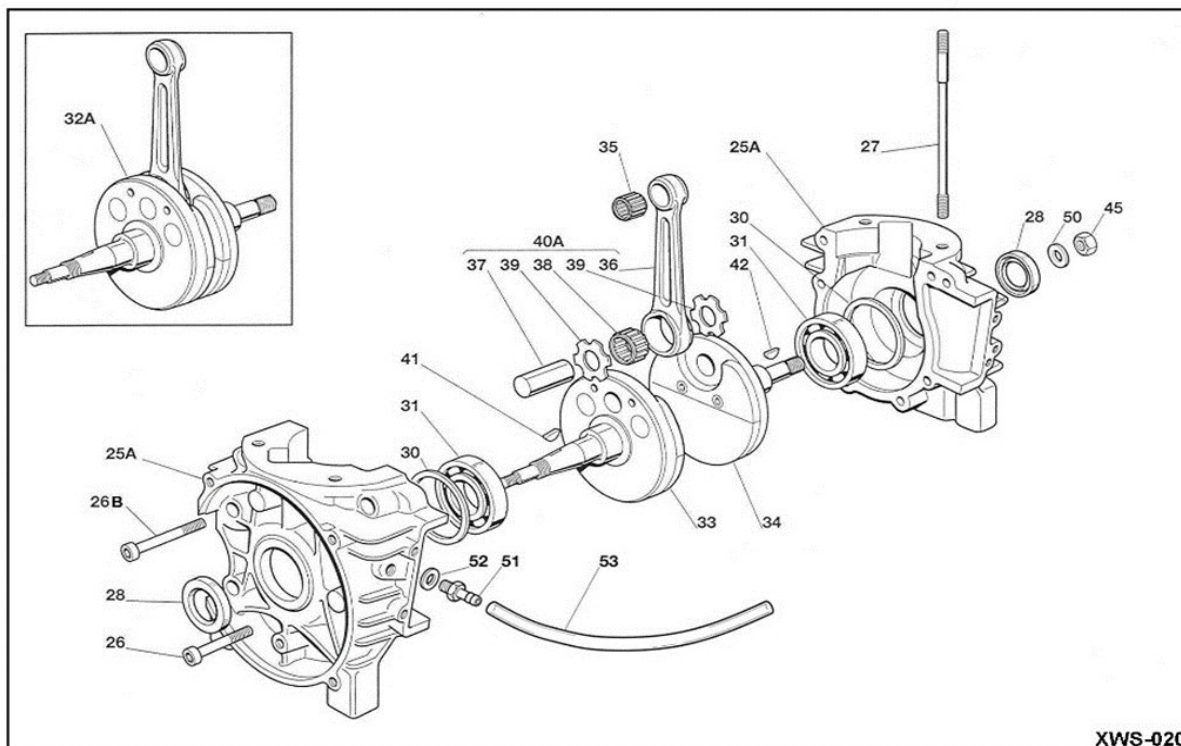
# X30 WATERSWIFT



50	217.115	Pistonpin >Mini-Pro M<
51	218.015	Piston circlip 12mm >Mini<
52A	216.190	Piston+ring >MINI-SW '07 41.80G
52A	216.191	Piston+ring >MINI-SW '07 41.80R
52A	216.192	Piston+ring >MINI-SW '07 41.82G
52A	216.193	Piston+ring >MINI-SW '07 41.82R
52A	216.194	Piston+ring >MINI-SW '07 41.84G
52A	216.195	Piston+ring >MINI-SW '07 41.84R
52A	216.196	Piston+ring >MINI-SW '07 41.86G
52A	216.197	Piston+ring >MINI-SW '07 41.86R
52A	216.198	Piston+ring >MINI-SW '07 41.88G
52A	216.199	Piston+ring >MINI-SW '07 41.88R
52A	216.203	Piston+ring >MINI-SW '07 41.92G
52A	216.204	Piston+ring >MINI-SW '07 41.92R
52A	216.205	Piston+ring >MINI-SW '07 41.94G
52A	216.208	Piston+ring >MINI-SW '07 41.94R
52A	216.206	Piston+ring >MINI-SW '07 41.96G
52A	216.207	Piston+ring >MINI-SW '07 41.96R
52A	216.209	Piston+ring >MINI-SW '07 41.98G
52A	216.210	Piston+ring >MINI-SW '07 41.98R
52A	216.211	Piston+ring >MINI-SW '07 42.00G
52A	216.212	Piston+ring >MINI-SW '07 42.00R
52A	216.213	Piston+ring >MINI-SW '07 42.04G
52A	216.214	Piston+ring >MINI-SW '07 42.04R
52A	216.215	Piston+ring >MINI-SW '07 42.08G
52A	216.216	Piston+ring >MINI-SW '07 42.08R

# X30 WATERSWIFT

## CRANKCASE AND CRANKSHAFT

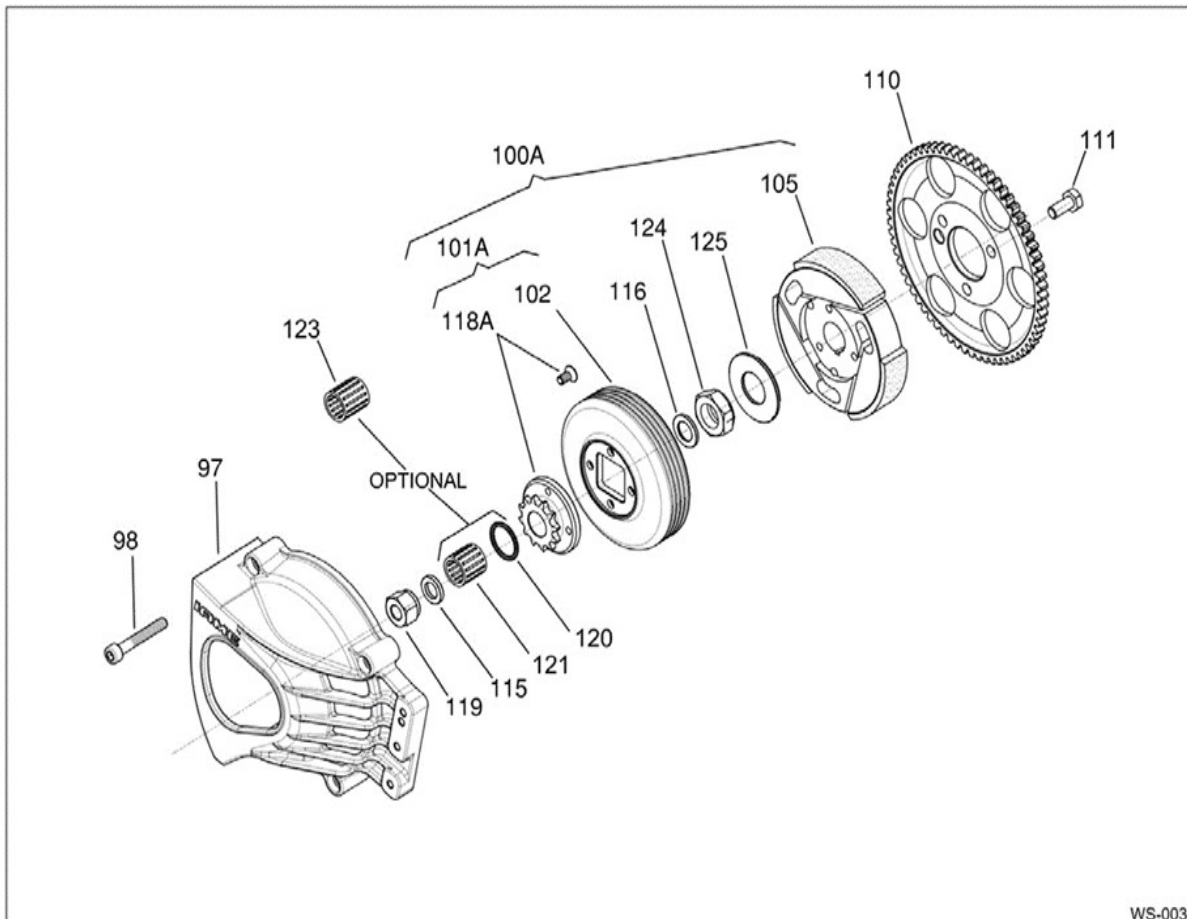


XWS-020

25A	236.301	Crankcase >Swift Mini-Pro M<
26	236.222	KIT 20 PCS. CRANKCASE ALLEN SCREW 6X45mm
26B	236.222	KIT 20 PCS. CRANKCASE ALLEN SCREW 6X45mm
27	276.305	Cylinder tapeind 8x135 >WATERSWIFT< 60cc
28	223.510	Oil seal 25x40x7 >Dr.+Magn. side< X30+KF+OK
30	224.900	Shim 47X0.10
30	224.905	Shim 47X0.15
31	224.000	Crankshaft bearing 6204 TN9/C4
32A	226.129	Crankshaft complete >MINI-SWIFT 2007<
33	226.294	Half crankshaft sprocket side >MINI-SWIFT 2007<
34	226.296	Half crankshaft ign. side >MINI-SWIFT 2007<
35	277.070	Little end cage >Mini + GR-3 040/EM/12<
36	219.208	Conrod 88mm without crankpin/roller cage >Mini Swift-Pro M<
37	220.200	Crankpin 40mm >Mini Swift-Pro M<
38	221.100	Big end cage 15 R. >100cc / Mini Swift Pro-M<
39	222.010	Big-end bronze washer >Mini Swift-Pro M<
40A	219.255	Conrod complete >Swift Mini-Pro M / Waterswift<
41	227.040	Key 3x3.7x9.66
42	227.100	Key ignition >X30< 9.66X3.7X2.5
45	244.010	Magneto nut M10 - X30
47	900.004	Washer 6-12x1,5mm
48	900.229	Hexagon socket bolt 6x12
50	900.075	KIT 20 PCS WASHER M10x18x1.6 FOR ROTOR
51	228.098	Pressure fitting >X30
52	228.110	Pressure fitting gasket 8mm >OK / X30 / KZ<
53	228.120	IAME M1 / GAZELLE PRESSURE FITTING TUBE - PULSE PIPE

# X30 WATERSWIFT

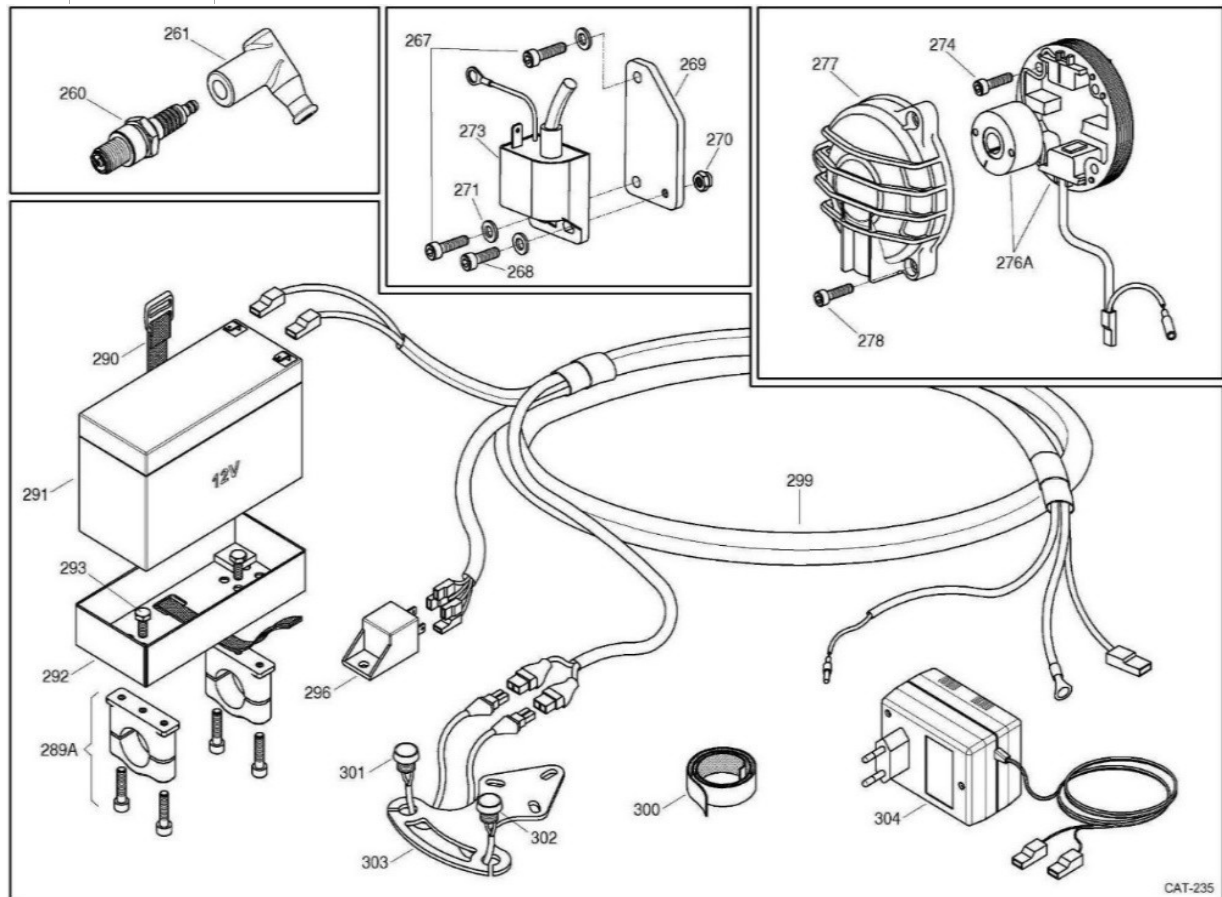
## CLUTCH GROUP



97	291.200	Clutch guard >Mini Swift-Pro M
98	900.235	Binnenzeskantbout 8.8 6x 30
100A	291.119	Clutch group complete T-11 >Waterswift<
101A	291.328	Clutch drum+sprocket T-10 >Mini Pro-M / Waterswift<
101A	291.331	Clutchdrum+sprocket T-11 >Mini Swift-Pro M / Waterswift<
102	291.334	CLUTCH DRUM SWIFT 60cc >2016< A-61553
105	291.417	Clutch padded hub >Mini Waterswift PV 60RL<
110	291.505	Starter driver wheel >Mini Swift-Pro-M<
111	291.511	Starter wheel screw 1-pc M6x14
115	290.740	Thrust washer external >X30 / MINI<
116	290.880	Thrust washer internal 1.8mm
118A	291.348	Sprocket T-10 >Mini - X30<
118A	291.347	Sprocket T-11 >Mini - X30<
118A	291.346	Sprocket T-12 >Mini - X30<
118A	291.349	Sprocket T-13 >Mini - X30
119	290.730	Sprocket nut clutch >IAME<
120	291.381	Clutch drum OR >Parilla X30 / MINI<
121	291.380	Clutch roller cage >Parilla X30 - SWIFT 60cc<
123	214.040	Base gasket Mini-Swift Pro 0.40mm
124	291.520	Locking nut 24mm for clutch >Leopard / Swift 2007 / GR-3<
125	290.770	Coned safety spring >Mini 2007 / GR-3<

# X30 WATERSWIFT

## ELECTRONIC IGNITION



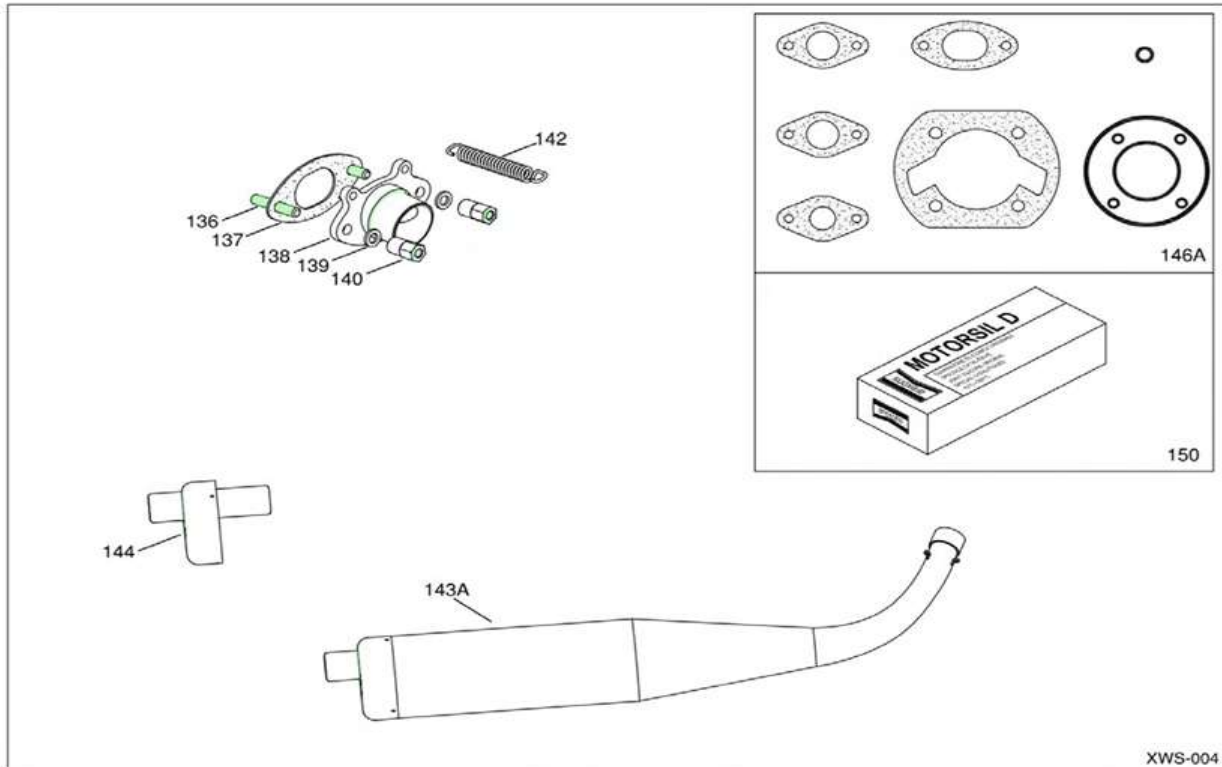
260	330.812	Battery fixing belt >X30 / MINI<
260	503.051	Spark plug >NGK BR10EG<
261	237.505	Spark plug cap PVL >X30 / MINI<
267	900.017	Allen screw 5x18
268	900.215	Hexagon socket bolt 5x20
269	330.678	Coil support >Mini Swift / Waterswift<
270	903.010	Self locking nut M5
271	900.002	Washer Ø 5mm
273	330.680	Coil Selettra >Mini Swift-Pro M / Waterswift<
274	900.216	Hexagon socket bolt 5x25
276A	330.682	Ignition Selettra >Mini Swift Pro-M / Waterswift<
277	330.807	Ignition cover >Mini Swift-Pro M<
278	900.232	Hexagon socket screw 6x18
289A	330.903	Battery support clamb 28mm
290	330.812	Battery fixing belt >X30 / MINI<
291	330.811	Battery 12V 9AH FG20722 FOR .-X30-/ MINI
292	330.808	Battery support Parilla X-30 / MINI
293	903.030	Hex Head Bolt M6x10
296	330.245	Relay >Mini Swift-Pro M / Waterswift<
299	330.871	Kit cables w/connectors >Mini Swift-Pro / Waterswift<
300	330.872	Velcro Fixing Strap >X-30 / MINI<
301	237.515	Cable with green start button >Mini Swift-Pro M / Waterswift<

# X30 WATERSWIFT

302	237.517	Cable with red button >Mini Swift-Pro M / Waterswift<
303	237.521	Bracket start/stop button Mini Swift-Pro M / Waterswift
304		
.	330.320	Starter cable >Mini Swift Pro-M<

# X30 WATERSWIFT

## EXHAUST GROUP & GASKETS SETS

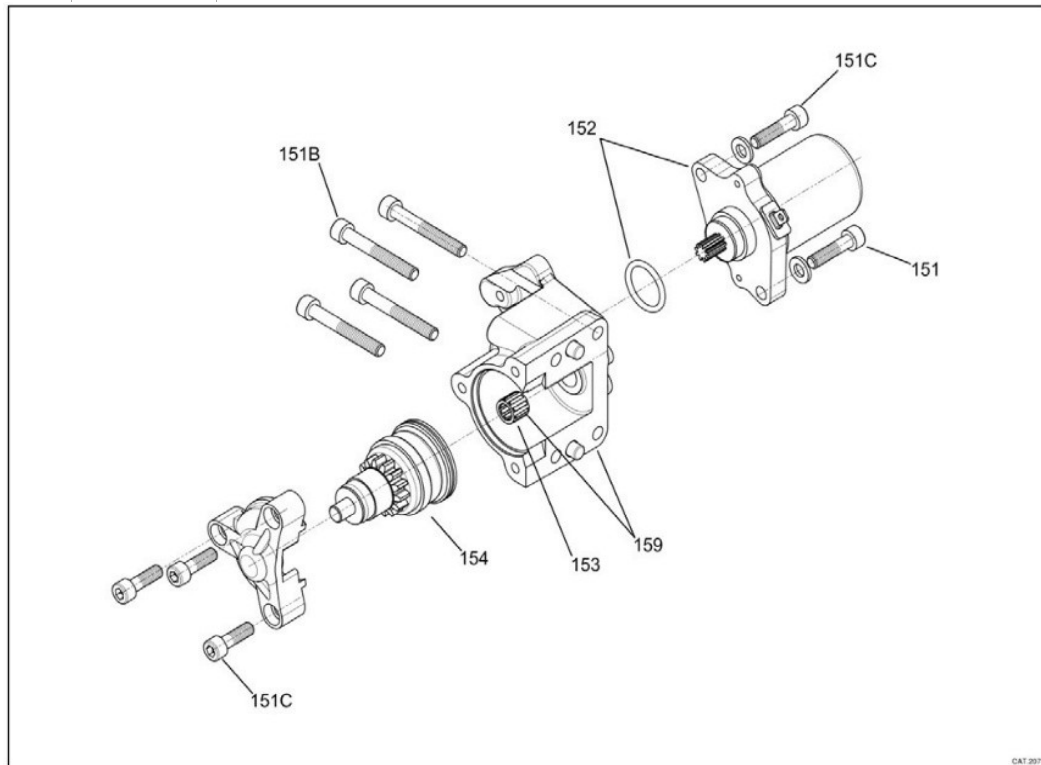


136	281.030	Carb. / exhasut studbolt 6x30 >X30 / WATERSWIFT<
137	214.518	Exhaust gasket >Mini-Pro 60cc<
138	265.090	Exhaust manifold >MINI SWIFT / WATERSWIFT<
.	265.092	Exhaust manifold >MINI SWIFT 2007 - 18.30mm<
.	#N/B	#N/B
.	#N/B	#N/B
.	#N/B	#N/B
139	900.004	Washer 6-12x1,5mm
140	263.000	Exhaust nut 6 mm IAME
142	280.218	Exhaust spring >MINI-SWIFT<
143A	267.125	Exhaust >Mini Swift-Pro M / Waterswift<
144	267.500	Exhaust end >Mini 2007 / Waterswift / GR03<
146A	214.998	Gasket set Waterswift
150	575.000	Silikon 250 special gasket



# X30 WATERSWIFT

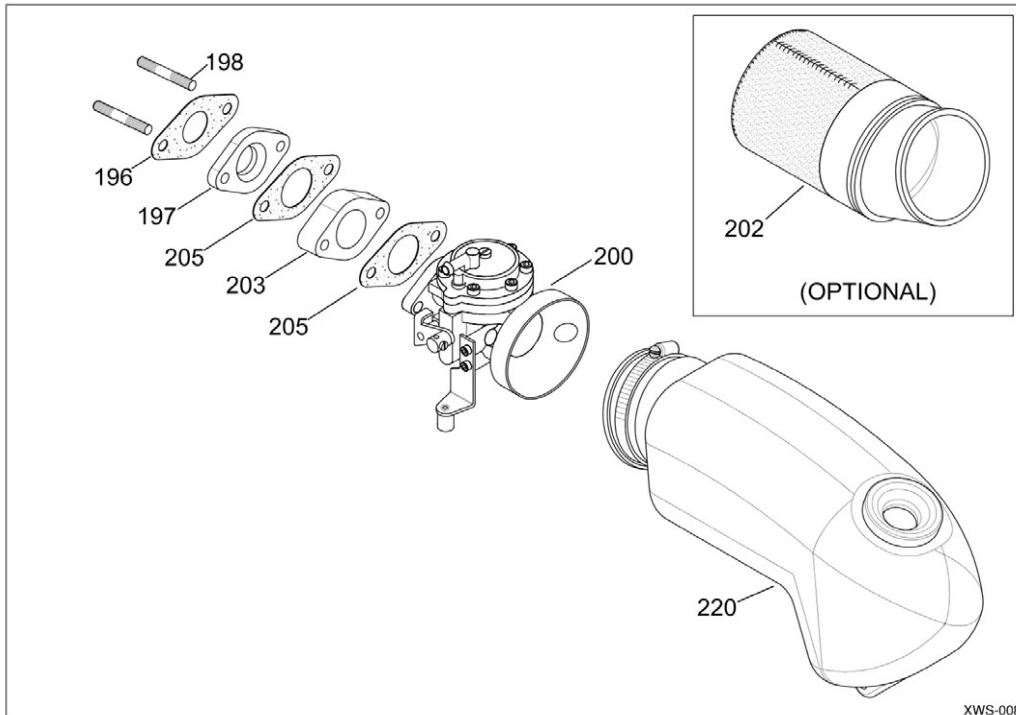
## ELECTRIC STARTER GROUP



151	900.234	Hexagon socket bolt 6x25
151B	236.222	KIT 20 PCS. CRANKCASE ALLEN SCREW 6X45mm
151C	903.026	KIT OF 20 ALLEN SCREWS 6X20
152	291.702	Starter for >Mini Swift-Pro M / Waterswift<
153	291.710	Roller cage for bendix X30 - MIni Pro-M
154	291.722	Countershaft >Mini Swift-Pro M / Waterswift / GR3<
158	291.725	Countershaft nylon support >X30 / MINI<
159	291.706	Starter Support lame Swift 60cc & X30 Waterswift

# X30 WATERSWIFT

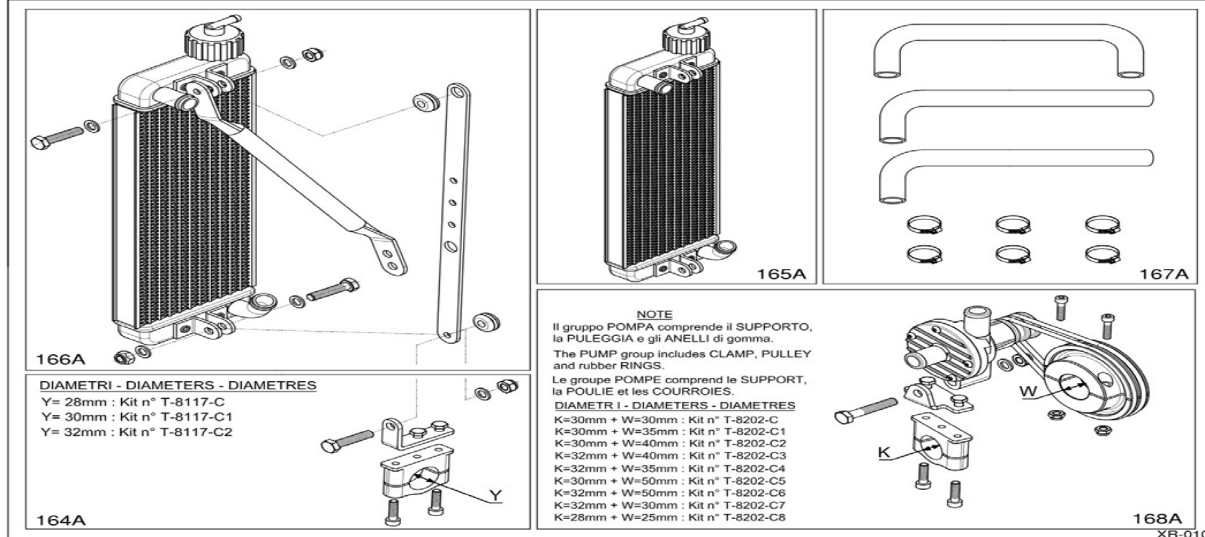
## MINI INLET SYSTEM



196	354.070	Inlet gasket Swift 60cc 22mm (A-61822)
197	346.602	Inlet nylon spacer 21/25-5mm >WATERSWIFT<
198	281.035	Inlet stud M6x49.5mm Mini Swift-Pro M / Waterswift
200	340.700	Carburetor HW-31A Mini Swift-Pro M Waterswift
.	580.239	Rubber Fitting mini
202	580.240	Noise filter rubber with filter >X30<
203	346.605	Carburetor spacer 26x15mm >Mini Swift-Pro M / Waterswift<
205	354.050	Inlet gasket Swift 60cc 27mm (B-71822)
220	580.250	Noise filter complete with rubber >Mini -Pro<

# X30 WATERSWIFT

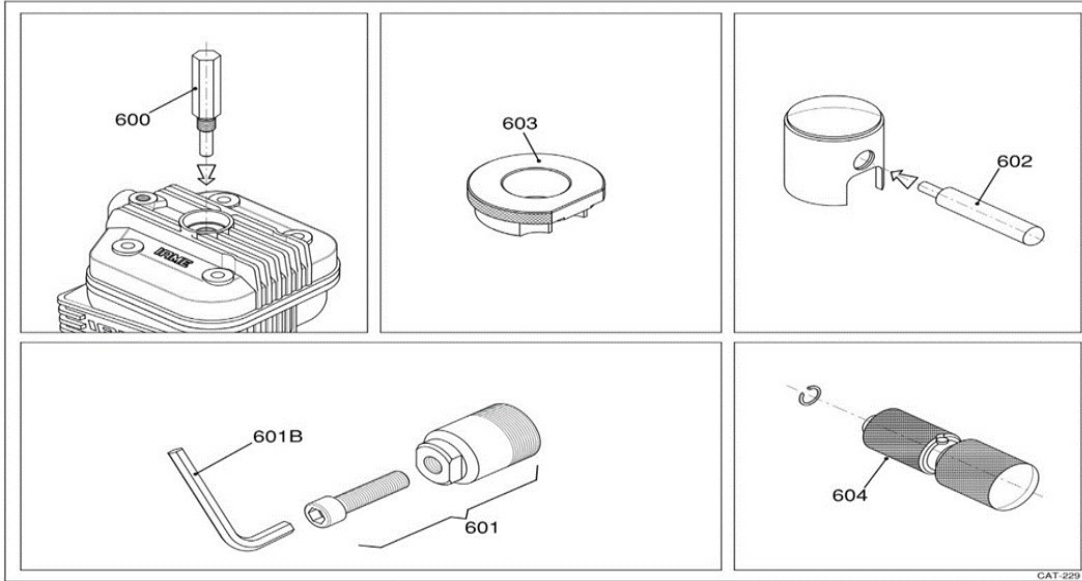
## WATERCOOLING SYSTEM



164A	299.927	Radiator clamb kit complete >MINI SWIFT 28mm<
165A	299.902	Radiator >MINI SWIFT 60cc<
166A	299.909	Radiator support kit complete >MINI SWIFT<
167A	196.168	Hoses complete kit(3) X30 >BLUE<
168A	195.327	Waterpump group mm 28/30 >ALUM.<
.	195.303	Waterpump alum. >X30<
.	195.352	Waterpump pulley alum. 30mm >X30<
.	195.365	Quick release waterpump belt

# X30 WATERSWIFT

## PULLER & TOOLS



600	KA82	PISTON STROKE LOCKER
601	573.506	Clutch puller X30 from 2013
603	573.513	Starter drive wheel look tool
604	574.036	Circlip assembling tool 12mm

# X30 WATERSWIFT

## CRANKSHAFT ASS./DISASS. TOOL & TIMING GROUP LS

650	574.101	Crankshaft assembly tool
651	574.102	crankpin bush 18mm Waterswift M-pro
661	574.104	Crankpin pusher
662	574.103	Crankpin bush >X-30 - KF - KZ<
664	574.115	Crankshaft disassembling tool without plate
666	574.105	Crankshaft disassembly filler Mini
690A	KA86	TIMING CHECK DISC TaG/REEDSTER
691A	KA87	TIMING CHECK DISC ADAPTER M10