

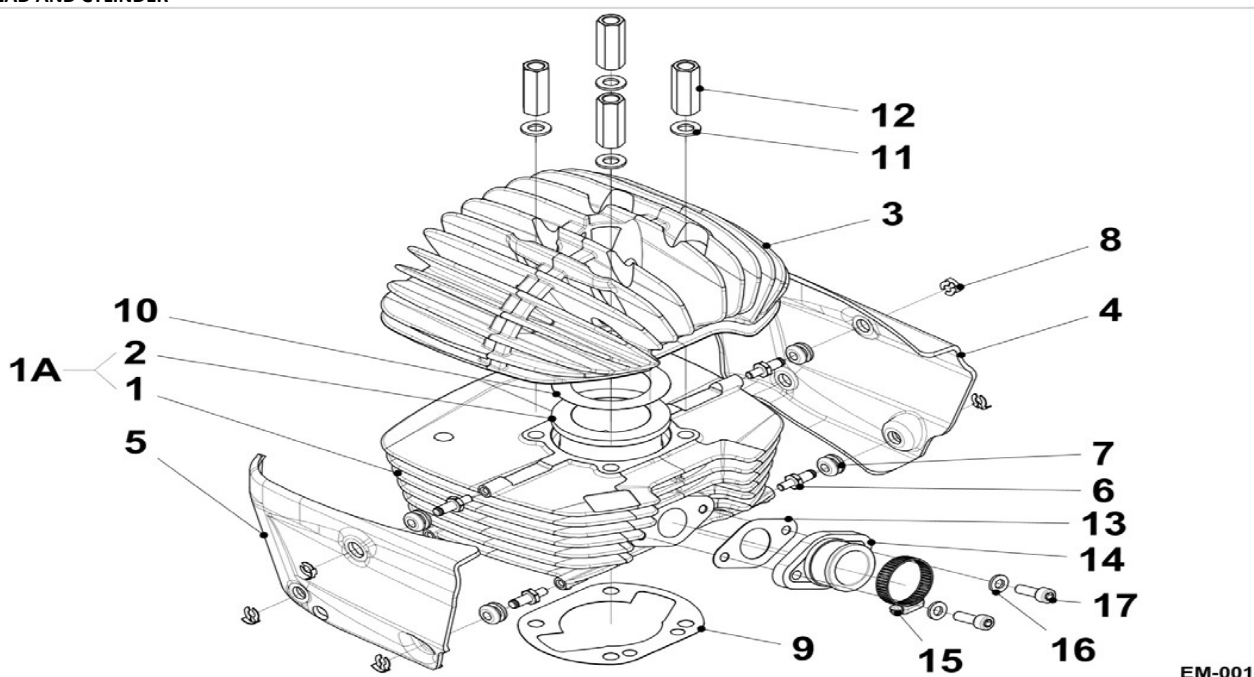


# GR-3 040 EM 12

pos	code	description
0	201.480	Parilla GR-3 complete 2024 without carburetor
 <p data-bbox="451 407 691 450">The heart of kart</p>		
		

# GR-3 040 EM 12

## HEAD AND CYLINDER

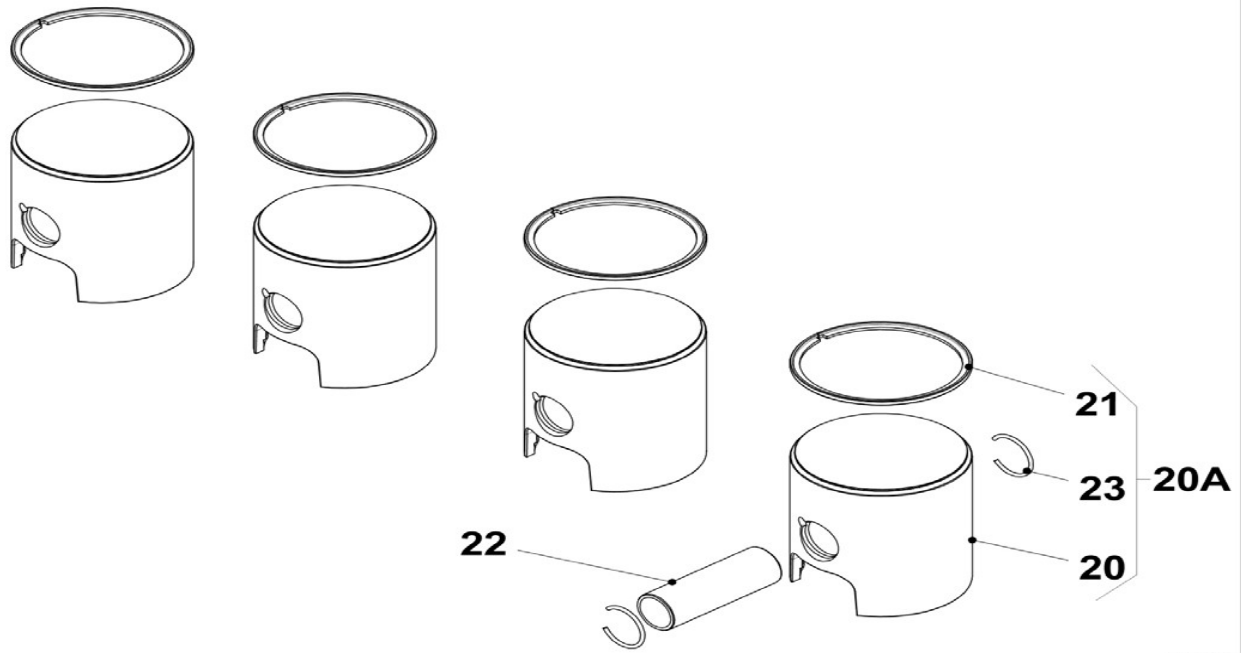


EM-001

01A	213.108	Cylinder Mini GR-3 040/EM/12
2	212.617	Cilinderkop / deksel O-ring >OK / OKJ <
3	212.038	Cilinderkop Mini GR-3 040/EM/12
4	213.261	Ignition side conveyor kit Mini GR-3 040/EM/12
5	213.260	Plastic kap voor koeling tandwielkant >Mini GR-3 040/EM/12<
6	213.250	Plastic kap bevestigings pen >Mini GR-3 040/EM/12<
7	213.251	Plastic kap rubber ring >Mini GR-3 040/EM/12<
8	213.252	Plastic kap clips per stuk >Mini GR-3 040/EM/12<
9	214.060	Voetpakking 0.05 >Mini GR-3 040/EM/12<
9	214.061	Voetpakking 0.10 >Mini GR-3 040/EM/12<
10	214.062	Voetpakking 0.20 >Mini GR-3 040/EM/12<
9	214.063	Voetpakking 0.30 >Mini GR-3 040/EM/12<
9	214.064	Voetpakking 0.40 >Mini GR-3 040/EM/12<
10	214.711	Kop pakking >MINI-SWIFT < 0.10
10	211.100	Kopmoer ring >X30 SUPER - SHIFTER<
10	263.020	Kopmoer / uitlaatmoer 8 mm >Mini GR-3 040/EM/12<
11	211.100	Kopmoer ring >X30 SUPER - SHIFTER<
12	263.020	Kopmoer / uitlaatmoer 8 mm >Mini GR-3 040/EM/12<
13	354.070	Inlet gasket Swift 60cc 22mm (A-61822)
14	228.085	Inlet manifold >Mini 2016 + GR-3 040/EM/12<
15	228.156	Clip screw >Mini GR-3 040/EM/12<
16	900.004	Washer 6-12x1,5mm

# GR-3 040 EM 12

## PISTONS

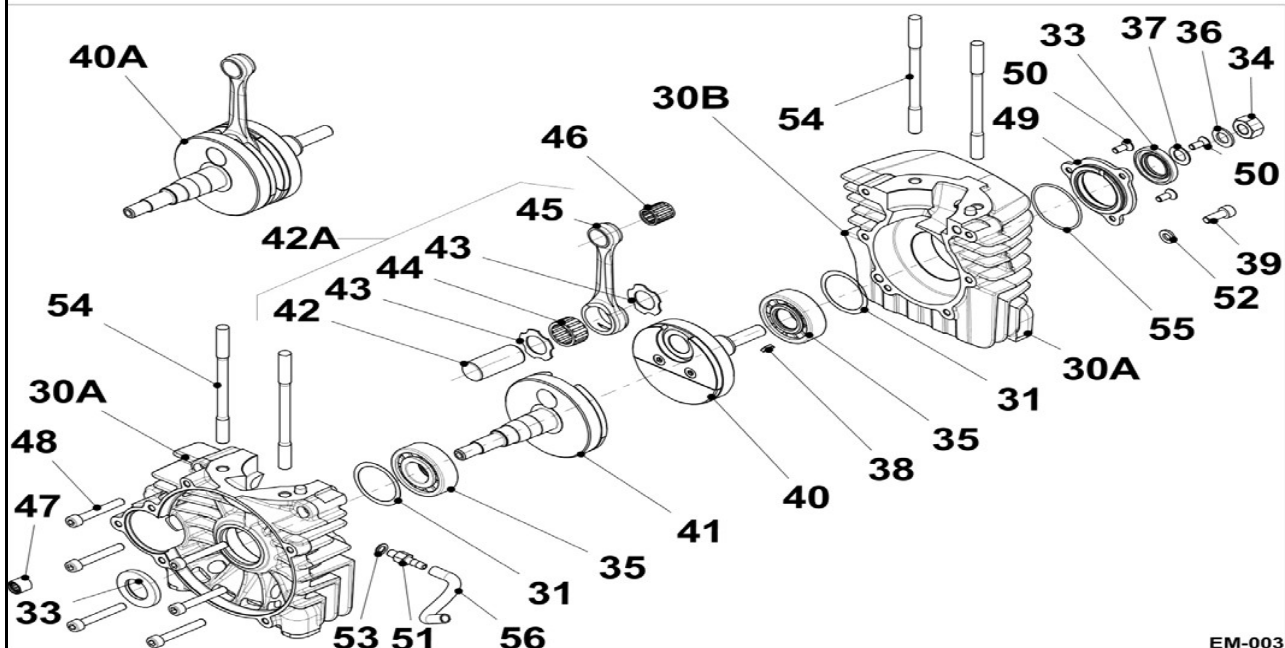


EM-002

20A	216.221	Piston+ring >MINI-SW '11 41.80R<
20A	216.220	Piston+ring >MINI-SW '11 41.80G<
20A	216.223	Piston+ring >MINI-SW '11 41.82R<
20A	216.222	Piston+ring >MINI-SW '11 41.82G<
20A	216.225	Piston+ring >MINI-SW '11 41.84R<
20A	216.224	Piston+ring >MINI-SW '11 41.84G<
20A	216.227	Piston+ring >MINI-SW '11 41.88R<
20A	216.226	Piston+ring >MINI-SW '11 41.88G
20A	216.229	Piston+ring >MINI-SW '11 41.92R<
20A	216.228	Piston+ring >MINI-SW '11 41.92G<
20A	216.233	Piston+ring >MINI-SW '11 41.96R<
20A	216.232	Zuiger+veer >MINI-SW '11 41.96G<
20A	216.237	Piston+ring >MINI-SW '11 42.00R<
20A	216.236	Piston+ring >MINI-SW '11 42.00G<
20A	216.241	Piston+ring >MINI-SW '11 42.08R<
20A	216.240	Piston+ring >MINI-SW '11 42.08G<
20A	217.117	Piston pin >Mini-Swift + GR-3<
20A	218.015	Piston circlip 12mm >Mini<

# GR-3 040 EM 12

## CRANKCASE AND CRANKSHAFT

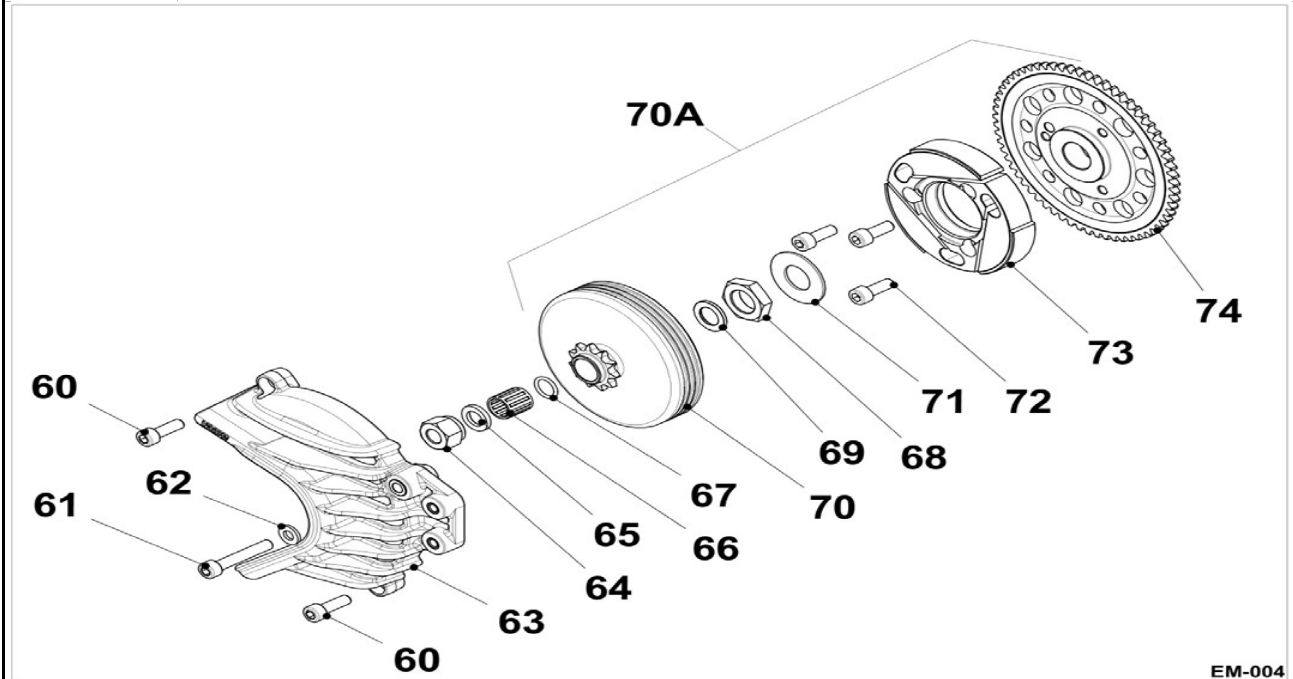


EM-003

30	218.015	Piston circlip 12mm >Mini<
30A	218.015	Piston circlip 12mm >Mini<
30B	236.307	Half crankshaft ignition side >Mini GR-3 040/EM/12<
31	224.910	Shim 47X0.05 >Mini GR-3 040/EM/12<
31	224.911	Shim 47X0.10 >Mini GR-3 040/EM/12<
31	224.912	Shim 47X0.20 >Mini GR-3 040/EM/12<
33	223.650	Oil seal 20x35x4.5 >MINI-SWIFT+GR-3 040/EM/12<<
34	244.010	Magneto nut M10 - X30
35	224.111	Roller ball bearing 6204 BC-1
36	900.075	KIT 20 PCS WASHER M10x18x1.6 FOR ROTOR
37	900.071	Washer 10,5x18x0,8 for rotor
38	227.100	Key ignition >X30< 9.66X3.7X2.5
40	226.293	Half crankshaft ignition side >Mini GR-3 040/EM/12<
40A	226.128	Crankshaft complete >Mini GR-3 040/EM/12<
40G	226.705	Plastic stuffer >GR-3<
41	226.291	Half crankshaft drive side >Mini GR-3 040/EM/12<
42	220.202	Crankpin 18x39.5mm >Mini GR-3 040/EM/12<
42A	219.220	Conrod complete >Mini GR-3 040/EM/12<
43	222.015	Bronze washer >Parilla GR-3 040/EM/12<
44	221.150	Big-end cage >Parilla GR-03<
46	277.070	Little end cage >Mini + GR-3 040/EM/12<
47	291.711	Roller cage for bendix Mini GR-3 / X30 / Mini-pro
48	900.237	Allen screw 6X40
49	223.690	Oil seal support >Mini GR-3 040/EM/1<
50	900.291	Screw TS TORX 5x12
51	228.095	Pressure fitting >X30< / S.Shifter / Mini<
52	900.004	Washer 6-12x1,5mm
53	282.200	Copper gasket 6mm
54	276.302	Cylinder tapeind 8x125 >Mini GR-3 040/EM/12<
55	212.617	Cilinderkop / deksel O-ring >OK / OKJ <
56	228.120	IAME M1 / GAZELLE PRESSURE FITTING TUBE - PULSE PIPE
56	228.122	Pressure hose >silicon<
.	226.705	Plastic stuffer >GR-3<

# GR-3 040 EM 12

## CLUTCH GROUP

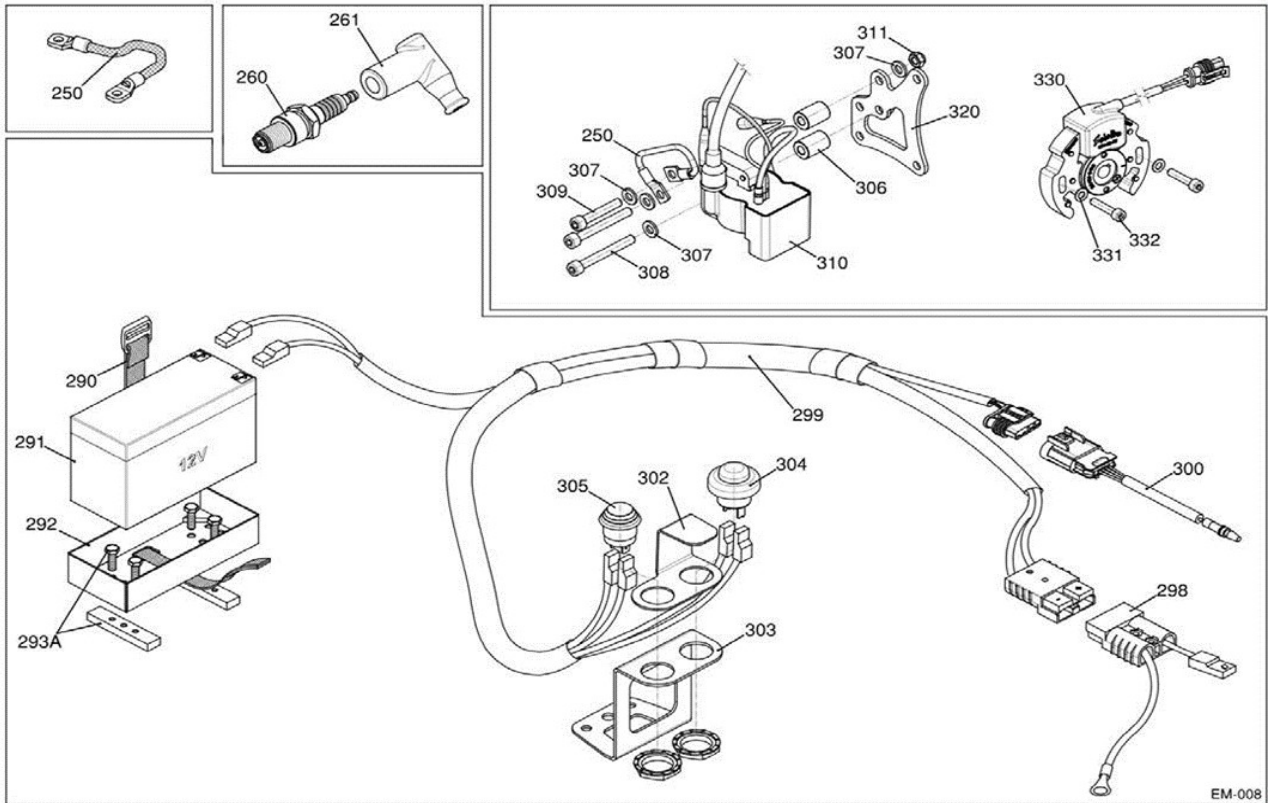


EM-004

62	900.004	Washer 6-12x1,5mm
63	291.202	Clutch cover >Mini GR-3 040/EM/12<
64	290.730	Sprocket nut clutch >IAME<
65	290.880	Thrust washer internal 1.8mm
66	291.380	Clutch roller cage >Parilla X30 - SWIFT 60cc<
67	291.381	Clutch drum OR >Parilla X30 / MINI<
68	291.520	Locking nut 24mm for clutch >Leopard / Swift 2007 / GR-3<
69	290.770	Coned safety spring >Mini 2007 / GR-3<
70	291.320	Clutch drum+sprocket Z11 >Mini GR-3 040/EM/12<
70	291.322	Clutch drum+sprocket 2.15 - Z11 >Mini GR-3 040/EM/12<
70	291.324	Clutch drum+sprocket Z10 >Mini GR-03 040/EM/12<
70	291.326	Clutch drum+sprocket 2.15 - Z10 >Mini GR-3 040/EM/12<
71	290.740	Thrust washer external >X30 / MINI<
73	291.418	Clutch padded hub >Mini GR-3 040/EM/12<
74	291.509	Starter drive wheel >Mini GR-03 040/EM/12<

# GR-3 040 EM 12

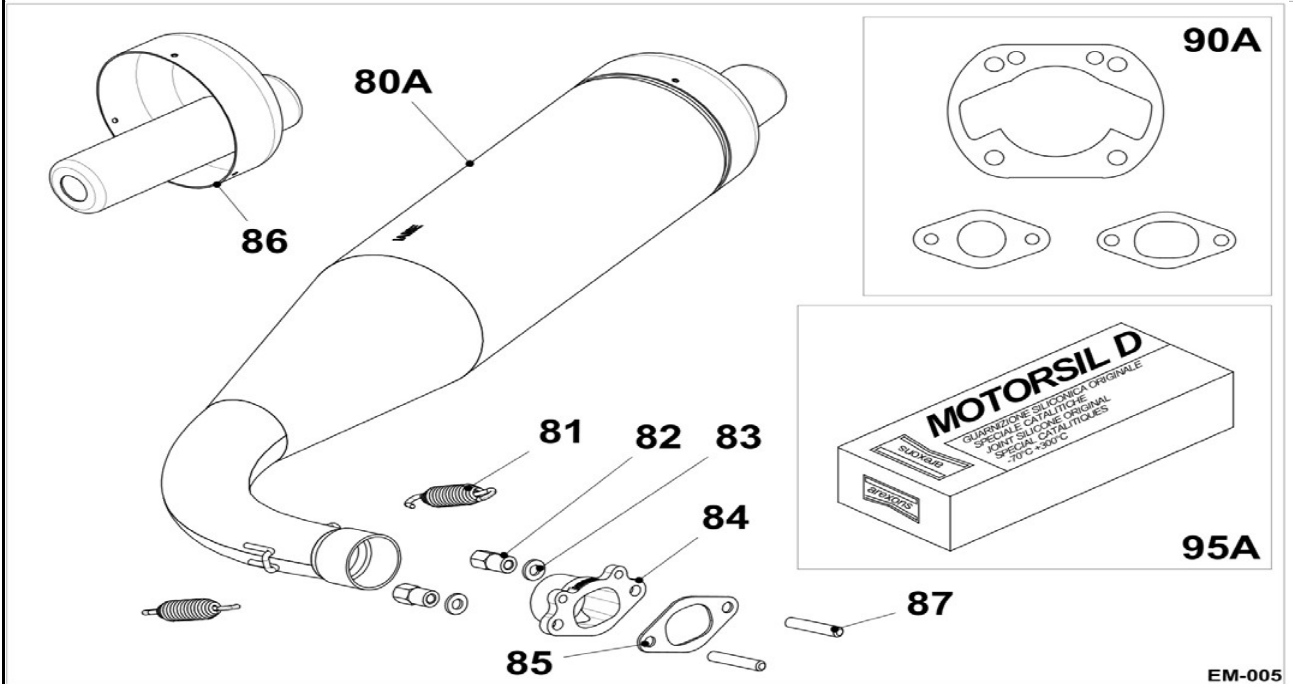
## ELECTRONIC IGNITION



250	330.803	Ground cable Parilla all models
260	503.051	Spark plug >NGK BR10EG<
261	237.505	Spark plug cap PVL >X30 / MINI<
290	330.812	Battery fixing belt >X30 / MINI<
292	330.808	Battery support Parilla X-30 / MINI
293A	330.903	Battery support clamb 28mm
297	330.320	Starter cable >Mini Swift Pro-M<
298	330.325	Starter cable with red connector
299	330.877	Cables w/connectors Parilla X30 >2020<
300	330.884	Stop cable adaptor >Mini GR-03 040/EM/12<
302	330.904	Security bracket start button >X30 '20 / Mini GR-3<
303	330.908	Button support plate X30 >2020<
304	330.867	Start button >Parilla X30 - 2016<
305	330.898	Stop button >X30 2020<
308	330.670	Coil/pump spacer >Mini GR-3<
309	900.004	Washer 6-12x1,5mm
311	330.691	Coil PVL >Mini GR-3 040/EM/12<
330	KA79	20 SELF LOCKING NUTS KIT M6
330	330.696	Ignition PVL >Mini GR-3 040/EM/12<

# GR-3 040 EM 12

## EXHAUST GROUP & GASKETS SETS

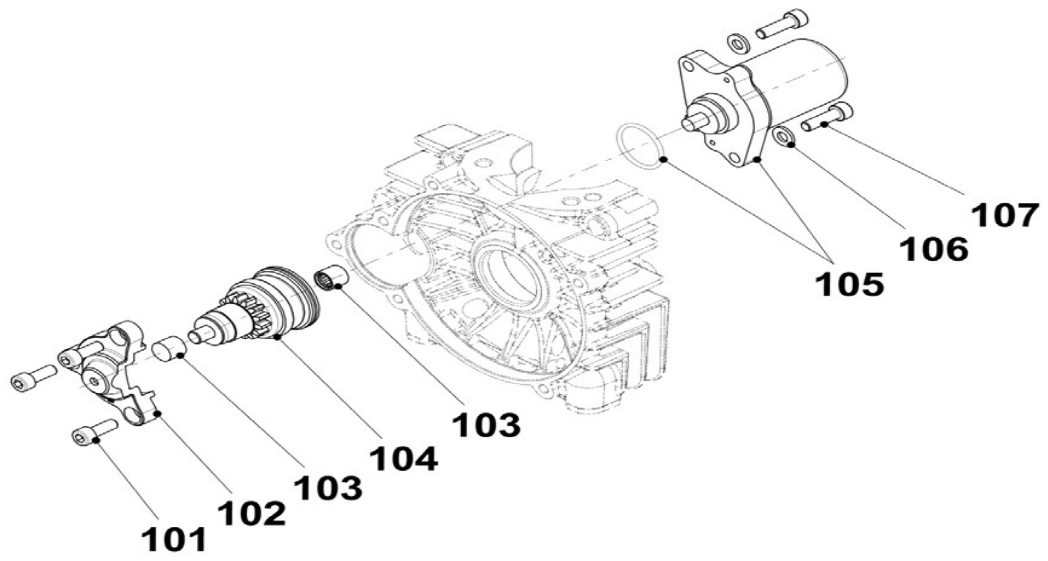


EM-005

80A	267.124	Exhaust >Mini GR-3 040/EM/12<
81	280.208	Exhaust spring >MRC-F3 / OK / GR-3<
82	263.000	Exhaust nut 6 mm IAME
83	900.004	Washer 6-12x1,5mm
84	265.094	Exhaust manifold >mini GR-03 040/EM/12<
85	214.519	Exhaust gasket >Mini GR-03 040/EM/12<
86	267.500	Exhaust end >Mini 2007 / Waterswift / GR03<
87	266.015	Exhaust studbolt 6x34
90A	214.995	Pakkingset >Mini GR-03 040/EM/12<
95A	575.000	Silikon 250 special gasket

# GR-3 040 EM 12

## ELECTRIC STARTER GROUP

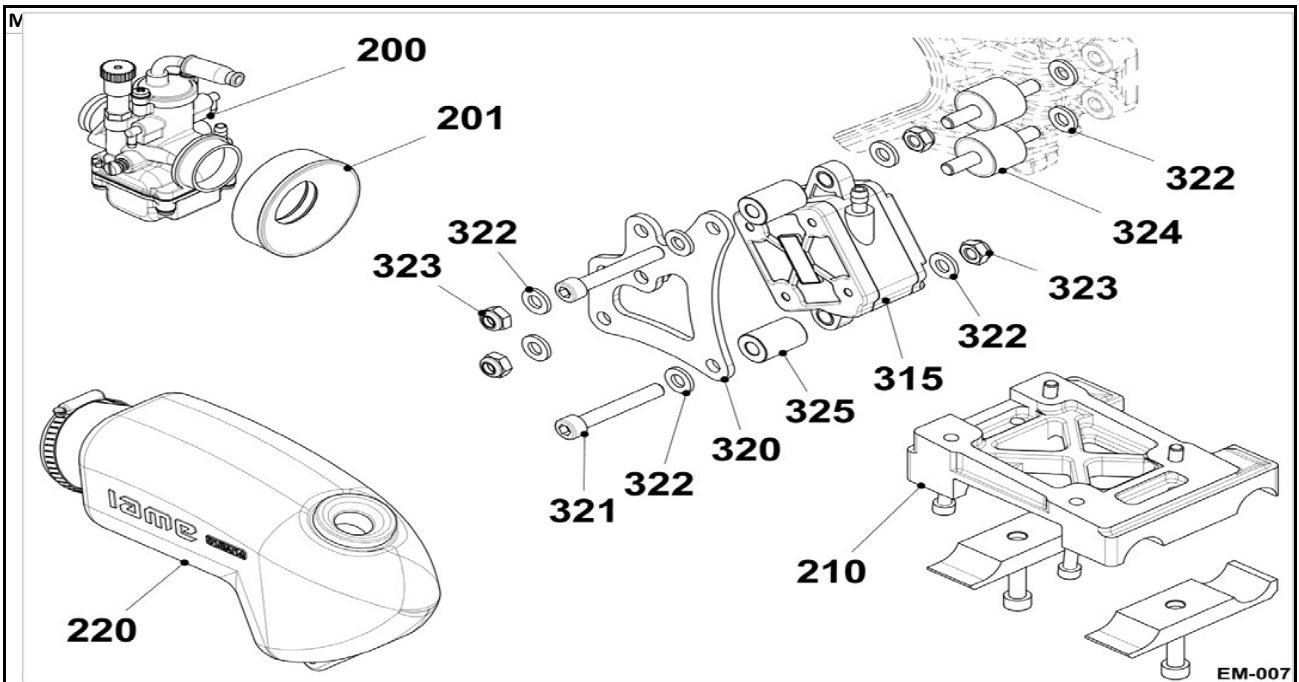


EM-006

102	291.729	Support for Bendix >Mini GR-03 040/EM/12<
104	291.722	Countershaft >Mini Swift-Pro M / Waterswift / GR3<
105	291.702	Starter for >Mini Swift-Pro M / Waterswift<



# GR-3 040 EM 12



200	340.827	Carburettor Dell'Orto 18mm PHBG18 BS
220	580.250	Noise filter complete with rubber >Mini -Pro<
315	750.530	Fuel pump >mini-swift<
320	750.529	Fuel pump bracket >FR-3 040/EM/12<
324	335.100	Coil dampener >Screamer 3<
325	330.670	Coil/pump spacer >Mini GR-3<
.	750.534	Fuel pump repair kit >Mini Swift<