


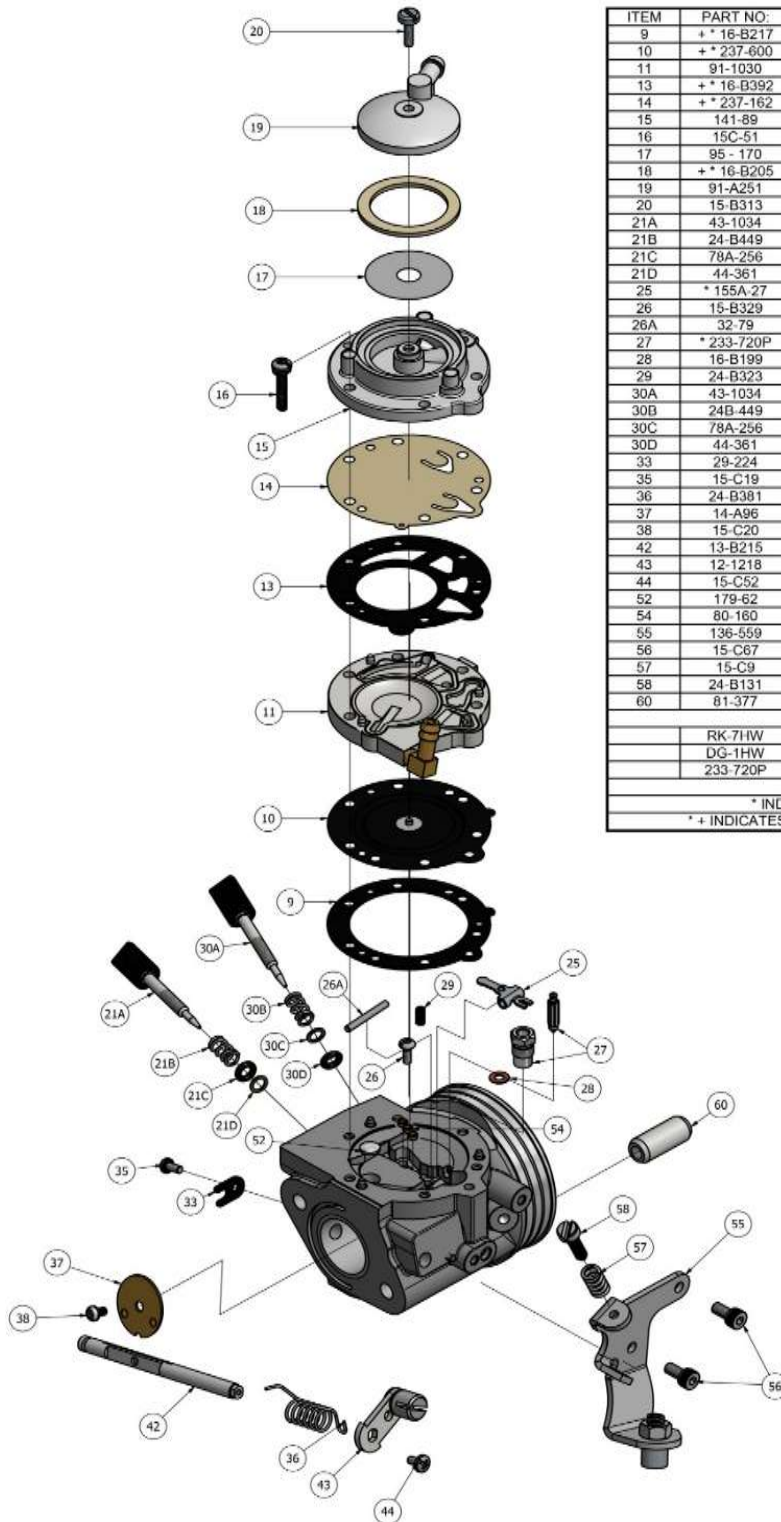
HW-31A

pos	code	description
0	340.700	Carburetor HW-31A Mini Swift-Pro M Waterswift
		

HW-31A

MINI CARBURETOR SPARES

HW-31A



ITEM	PART NO.	DESCRIPTION	QTY
9	+ * 16-B217	DIAPHRAGM GASKET	1
10	+ * 237-600	DIAPHRAGM	1
11	91-1030	DIAPHRAGM COVER	1
13	+ * 16-B392	FUEL PUMP GASKET	1
14	+ * 237-162	FUEL PUMP DIAPHRAGM	1
15	141-89	FUEL PUMP BODY	1
16	15C-51	FUEL PUMP BODY SCREW	6
17	95 - 170	FUEL STRAINER SCREEN	1
18	+ * 16-B205	FUEL STRAINER COVER GASKET	1
19	91-A251	FUEL STRAINER COVER	1
20	15-B313	FUEL STRAINER COVER RETAINING SCREW	1
21A	43-1034	IDLE MIXTURE SCREW	1
21B	24-B449	IDLE MIXTURE SCREW SPRING	1
21C	78A-256	IDLE MIXTURE SCREW WASHER	1
21D	44-361	IDLE MIXTURE SCREW PACKING	1
25	* 155A-27	INLET CONTROL LEVER	1
26	15-B329	FULCRUM LEVER SCREW	1
26A	32-79	FULCRUM LEVER PIN	1
27	* 233-720P	INLET NEEDLE & SEAT SET	1
28	16-B199	INLET SEAT GASKET	1
29	24-B323	INLET TENSION SPRING	1
30A	43-1034	HIGH SPEED MIXTURE SCREW	1
30B	24B-449	HIGH SPEED MIXTURE SCREW SPRING	1
30C	78A-256	HIGH SPEED MIXTURE SCREW WASHER	1
30D	44-361	HIGH SPEED MIXTURE SCREW PACKING	1
33	29-224	THROTTLE SHAFT CLIP	1
35	15-C19	THROTTLE SHAFT CLIP RETAINING SCREW	1
36	24-B381	THROTTLE RETURN SPRING	1
37	14-A96	THROTTLE SHUTTER	1
38	15-C20	THROTTLE SHUTTER SCREW	1
42	13-B215	THROTTLE SHAFT	1
43	12-1218	THROTTLE LEVER ASSEMBLY	1
44	15-C52	THROTTLE LEVER RETAINING SCREW	1
52	179-62	WELCH PLUG	1
54	80-180	MAIN PLUG	3
55	136-559	CABLE BRACKET	1
56	15-C67	CABLE BRACKET RETAINING SCREW	2
57	15-C9	LIMITER SCREW	2
58	24-B131	LIMITER SPRING	2
60	81-377	CARBURETOR MOUNTING NUT	2
RK-7HW		REPAIR KIT	
DG-1HW		DIAPHRAGM & GASKET (STANDARD)	
233-720P		INLET NEEDLE & SEAT SET	
* INDICATES CONTENTS OF REPAIR KIT			
* + INDICATES CONTENTS OF DIAPHRAGM & GASKET SET			

HW-31A

9	#N/B	#N/B
10	352.000	Main diaphragm Tillotson >HW-31A / HW-27A<
11	353.005	Main diaphragm body with puls connector >HW-31A<
13	355.000	Fuel pump diaphragm gasket Tillotson -zwart- >HW-31A / HB-10A<
14	356.001	Fuel pump diaphragm Tillotson >TEFLON<
15	353.005	Main diaphragm body with puls connector >HW-31A<
16	358.010	Body fixing screw 3.5X20 Tillotson
17	359.000	Fuel filter Tillotson
18	360.000	Fuel strainer cover gasket Tillotson
19	361.000	Filter cover Tillotson
20	362.000	Filter cover screw Tillotson
21A	363.015	Mixture screw "L + H" Tillotson HW-31A
21B	364.000	Spring for idle/main mixture screw Tillotson
21C	365.000	Idle/mai mixture screw washer Tillotson
21D	366.000	O-ring for mixture screw Tillotson
25	369.000	Lever Tillotson
26	371.000	Fulcrum lever screw Tillotson
26A	370.000	Spindel for lever Tillotson
27	372.017	Inlet needle & seat Tillotson >HW-31A<
28	372.070	Bronze washer for seat Tillotson
29	373.000	Inlet tension spring Tillotson -26-
29	373.005	Inlet tension spring Tillotson -31-
29	373.010	Inlet tension spring Tillotson -37-
29	373.015	Inlet tension spring Tillotson -42-
30A	363.015	Mixture screw "L + H" Tillotson HW-31A
30B	364.000	Spring for idle/main mixture screw Tillotson
30C	365.000	Idle/mai mixture screw washer Tillotson
30D	366.000	O-ring for mixture screw Tillotson
33	377.015	Throttle shaft clip Tillotson
35	378.000	Throttle shaft clip retaining screw Tillotson
36	379.005	Throttle return spring Tillotson all models
37	380.002	Throttle shutter Tillotson >HW-31A<
38	381.002	Shutter screw Tillotson HW-27A / HW-31A
42	376.000	Throttle shaft Tillotson HW-31A >MINI<
43	376.002	Throttle lever assembly Tillotson HW-31A
44	376.006	Throttle lever retaining screw Tillotson
52	382.005	Welch plug >HW-31A<
54	382.006	Main plug >HW-31A<
55	399.005	Cable bracket Tillotson >HW-31A<
56	399.010	Ccable bracket retaining screw Tillotson
57	399.014	Limiter spring Tillotson
58	399.012	Limiter screw Tillotson
60	346.510	Carburettor mounting nut Tillotson
.	399.500	Repair kit Tillotson HW-31A complete
.	399.502	Repair kit Tillotson HW-31A diaphragm / gasket >DG-1-HW