

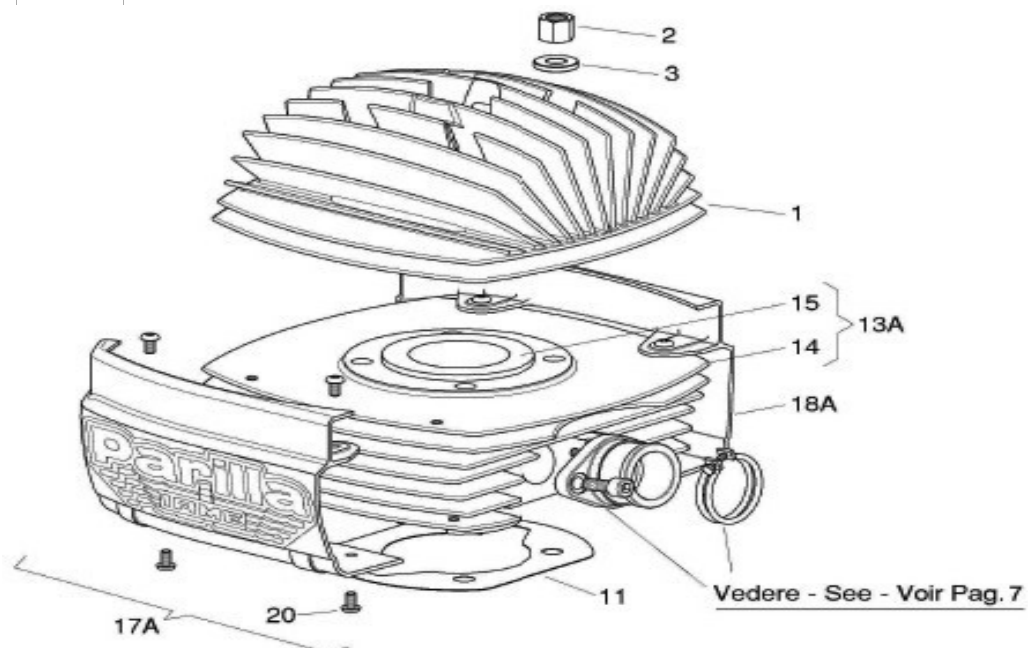


MINI SWIFT PRO-M

pos	code	description
0	201.464	Parilla Mini Pro-M complete
IAME –MINI SWIFT PRO--M/Tillotson		
		
		

MINI SWIFT PRO-M

HEAD AND CYLINDER



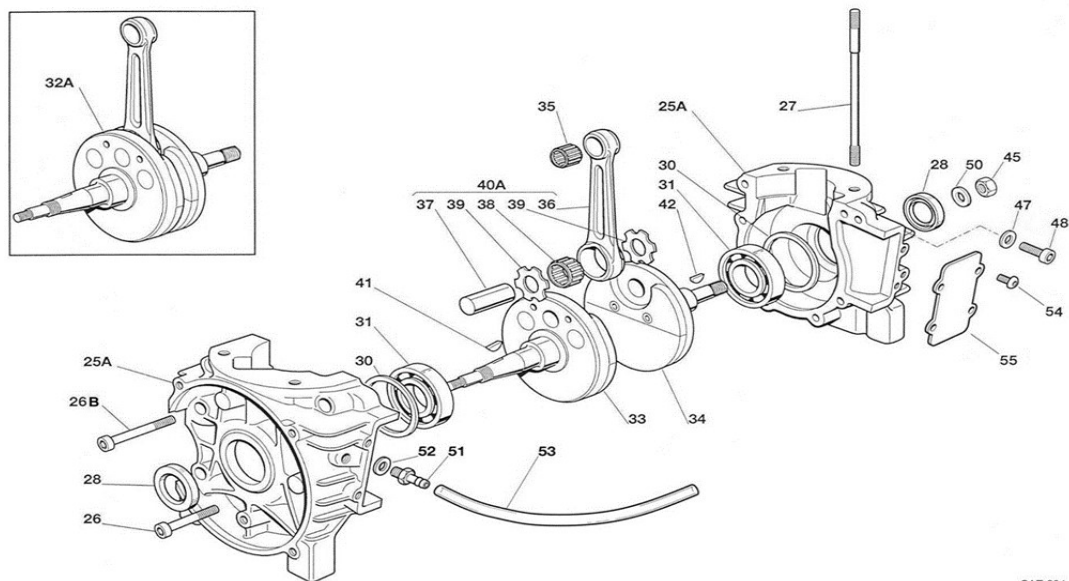
1	212.033	Cilinderkop >MINI-SWIFT 07<
3	210.001	Kopmoer >MINI-SWIFT 07<
4	211.100	Kopmoer ring >X30 SUPER - SHIFTER<
10	214.710	Kop pakking >MINI-SWIFT < 0.05
10	214.711	Kop pakking >MINI-SWIFT < 0.10
11	214.040	Voetpakking Mini-Swift Pro 0.40mm
11	214.037	Base gasket Mini-Swift Pro 0.20mm
11	214.038	Base gasket Mini-Swift Pro 0.10mm
11	214.039	Base gasket Mini-Swift Pro 0.05mm
13A	213.106	Cilinder >MINI-SWIFT 2007<
17A	213.257	Plastic kap voor koeling tandwielkant >MINI-SWIFT<
018A	213.258	Plastic kap voor koeling ontst. kant >MINI-SWIFT<
20	213.259	Bolkop inbusbout M4x8

MINI SWIFT PRO-M

PISTONS		
50	217.115	Pistonpin >Mini-Pro M<
51	218.015	Piston circlip 12mm >Mini<
52A	216.191	Piston+ring >MINI-SW '07 41.80R
52A	216.190	Piston+ring >MINI-SW '07 41.80G
52A	216.193	Piston+ring >MINI-SW '07 41.82R
52A	216.192	Piston+ring >MINI-SW '07 41.82G
52A	216.195	Piston+ring >MINI-SW '07 41.84R
52A	216.194	Zuiger+veer >MINI-SW '07 41.84G
52A	216.197	Piston+ring >MINI-SW '07 41.86R
52A	216.196	Piston+ring >MINI-SW '07 41.86G
52A	216.199	Piston+ring >MINI-SW '07 41.88R
52A	216.198	Piston+ring >MINI-SW '07 41.88G
52A	216.204	Piston+ring >MINI-SW '07 41.92R
52A	216.203	Piston+ring >MINI-SW '07 41.92G
52A	216.208	Piston+ring >MINI-SW '07 41.94R
52A	216.205	Piston+ring >MINI-SW '07 41.94G
52A	216.207	Zuiger+veer >MINI-SW '07 41.96R
52A	216.206	Piston+ring >MINI-SW '07 41.96G
52A	216.210	Zuiger+veer >MINI-SW '07 41.98R
52A	216.209	Zuiger+veer >MINI-SW '07 41.98G
52A	216.212	Piston+ring >MINI-SW '07 42.00R
52A	216.211	Piston+ring >MINI-SW '07 42.00G
52A	216.214	Piston+ring >MINI-SW '07 42.04R
52A	216.213	Piston+ring >MINI-SW '07 42.04G
52A	216.216	Piston+ring >MINI-SW '07 42.08R
52A	216.215	Piston+ring >MINI-SW '07 42.08G

MINI SWIFT PRO-M

CRANKCASE AND CRANKSHAFT



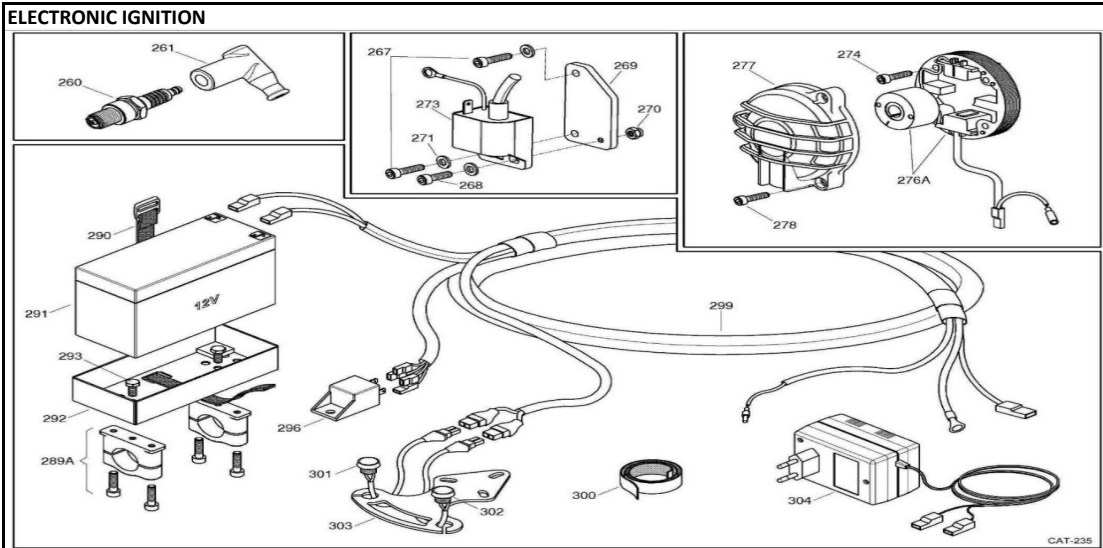
CAT-234

25A	236.301	Crankcase >Swift Mini-Pro M<
26	236.222	KIT 20 PCS. CRANKCASE ALLEN SCREW 6X45mm
26B	900.926	SCREWS 6x55
27	276.300	Cylinder tie-rod 8x116 Mini-swift 60cc
28	223.500	Oil seal FPJ 20X35X7 >OK / Mini Swift Pro<
30	224.900	Shim 47X0.10
30	224.905	Shim 47X0.15
31	224.000	Crankshaft bearing 6204 TN9/C4
32A	226.129	Crankshaft complete >MINI-SWIFT 2007<
33	226.294	Half crankshaft sprocket side >MINI-SWIFT 2007<
34	226.296	Half crankshaft ign. side >MINI-SWIFT 2007<
35	277.070	Little end cage >Mini + GR-3 040/EM/12<
36	219.208	Conrod 88mm without crankpin/roller cage >Mini Swift-Pro M<
37	220.200	Crankpin 40mm >Mini Swift-Pro M<
38	221.100	Big end cage 15 R. >100cc / Mini Swift Pro-M<
39	222.010	Big-end bronze washer >Mini Swift-Pro M<
40A	219.255	Conrod complete >Swift Mini-Pro M / Waterswift<
41	227.040	Key 3x3.7x9.66
42	227.100	Key ignition >X30< 9.66X3.7X2.5
45	244.010	Magneto nut M10 - X30
47	900.004	Washer 6-12x1,5mm
50	900.075	KIT 20 PCS WASHER M10x18x1.6 FOR ROTOR
51	228.098	Pressure fitting >X30
52	228.110	Pressure fitting gasket 8mm >OK / X30 / KZ<
53	228.120	IAME M1 / GAZELLE PRESSURE FITTING TUBE - PULSE PIPE

MINI SWIFT PRO-M

CLUTCH GROUP		
	CAT-236	
97	291.200	Clutch guard >Mini Swift-Pro M
100A	291.417	Clutch padded hub >Mini Waterswift PV 60RL<
101A	291.331	Clutchdrum+sprocket T-11 >Mini Swift-Pro M / Waterswift<
102	291.329	Clutch drum >Swift 2007 - Waterswift< A-61550A
105	291.417	Clutch padded hub >Mini Waterswift PV 60RL<
110	291.505	Starter driver wheel >Mini Swift-Pro-M<
111	291.511	Starter wheel screw 1-pc M6x14
115	290.880	Thrust washer internal 1.8mm
116	290.740	Thrust washer external >X30 / MINI<
118A	291.348	Sprocket T-10 >Mini - X30<
118A	291.347	Sprocket T-11 >Mini - X30<
118A	291.346	Sprocket T-12 >Mini - X30<
118A	291.349	Sprocket T-13 >Mini - X30
119	290.730	Sprocket nut clutch >IAME<
120	291.381	Clutch drum OR >Parilla X30 / MINI<
121	291.380	Clutch roller cage >Parilla X30 - SWIFT 60cc<
124	291.520	Locking nut 24mm for clutch >Leopard / Swift 2007 / GR-3<
125	290.770	Coned safety spring >Mini 2007 / GR-3<

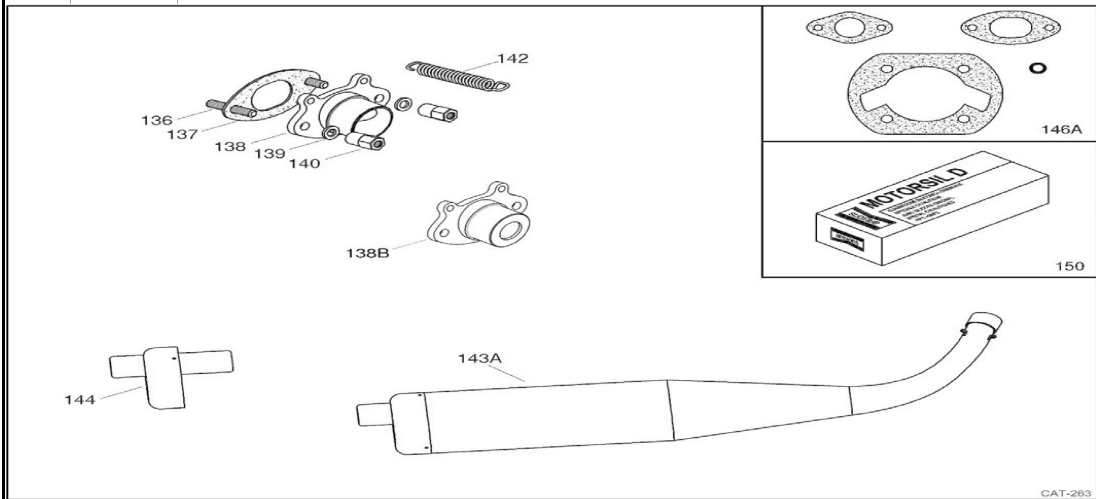
MINI SWIFT PRO-M



260	503.051	Spark plug >NGK BR10EG<
260	503.052	Spark plug >NGK BR9EG<
261	237.505	Spark plug cap PVL >X30 / MINI<
269	330.678	Coil support >Mini Swift / Waterswift<
273	330.680	Coil Selettra >Mini Swift-Pro M / Waterswift<
276A	330.682	Ignition Selettra >Mini Swift Pro-M / Waterswift<
277	330.807	Ignition cover >Mini Swift-Pro M<
289A	330.903	Battery support clamb 28mm
290	330.812	Battery fixing belt >X30 / MINI<
291	330.811	Battery 12V 9AH FG20722 FOR .-X30- / MINI
292	330.808	Battery support Parilla X-30 / MINI
293	903.030	Hexagon tap bolt 6x10
296	330.245	Relay >Mini Swift-Pro M / Waterswift<
297	330.325	Starter cable with red connector
299	330.877	Cables w/connectors Parilla X30 >2020<
300	330.890	Adapter ignition 2 poles
301	330.904	Security bracket start button >X30 '20 / Mini GR-3<
302	330.908	Button support plate X30 >2020<
303	330.867	Start button >Parilla X30 - 2016<
304	237.521	Bracket doe start/stop button >Mini Swift-Pro M / Waterswift<
304	330.320	Starter cable >Mini Swift Pro-M<

MINI SWIFT PRO-M

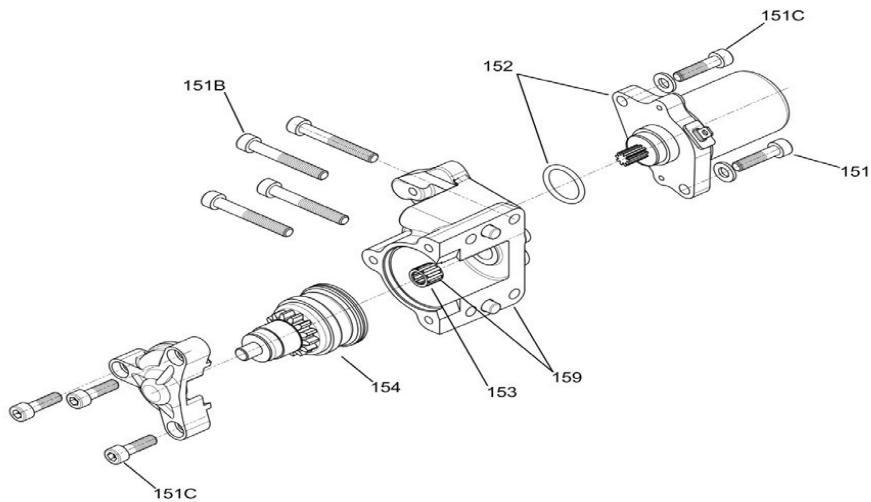
EXHAUST GROUP & GASKETS SETS



136	266.015	Exhaust studbolt 6x34
137	214.518	Exhaust gasket >Mini-Pro 60cc<
138	265.090	Exhaust manifold >MINI SWIFT / WATERSWIFT<
138	265.092	Exhaust manifold >MINI SWIFT 2007 - 18.30mm<
139	900.004	Washer 6-12x1,5mm
140	263.000	Exhaust nut 6 mm IAME
142	280.218	Exhaust spring >MINI-SWIFT<
143A	267.125	Exhaust >Mini Swift-Pro M / Waterswift<
144	267.500	Exhaust end >Mini 2007 / Waterswift / GR03<
150	575.000	Silikon 250 special gasket

MINI SWIFT PRO-M

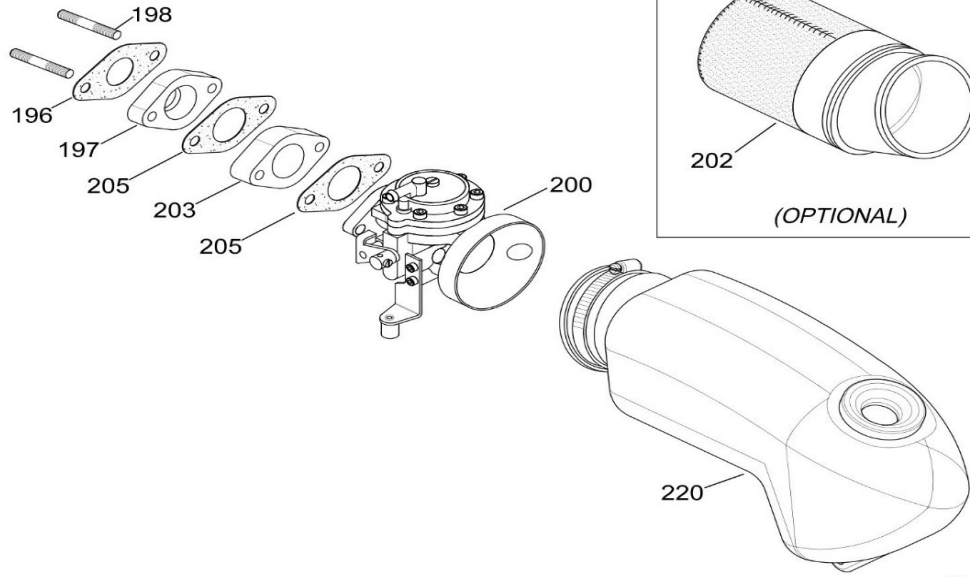
ELECTRIC STARTER GROUP



151B	236.222	KIT 20 PCS. CRANKCASE ALLEN SCREW 6X45mm
152	291.702	Starter for >Mini Swift-Pro M / Waterswift<
153	291.711	Roller cage for bendix MIni GR-3 / X30 / Mini-pro
154	291.722	Countershaft >Mini Swift-Pro M / Waterswift / GR3<
158	KA58	BENDIX SUPPORT
159	291.706	Steun + lager voor starter >Mini Swift-Pro M / Waterswift /

MINI SWIFT PRO-M

MINI INLET SYSTEM

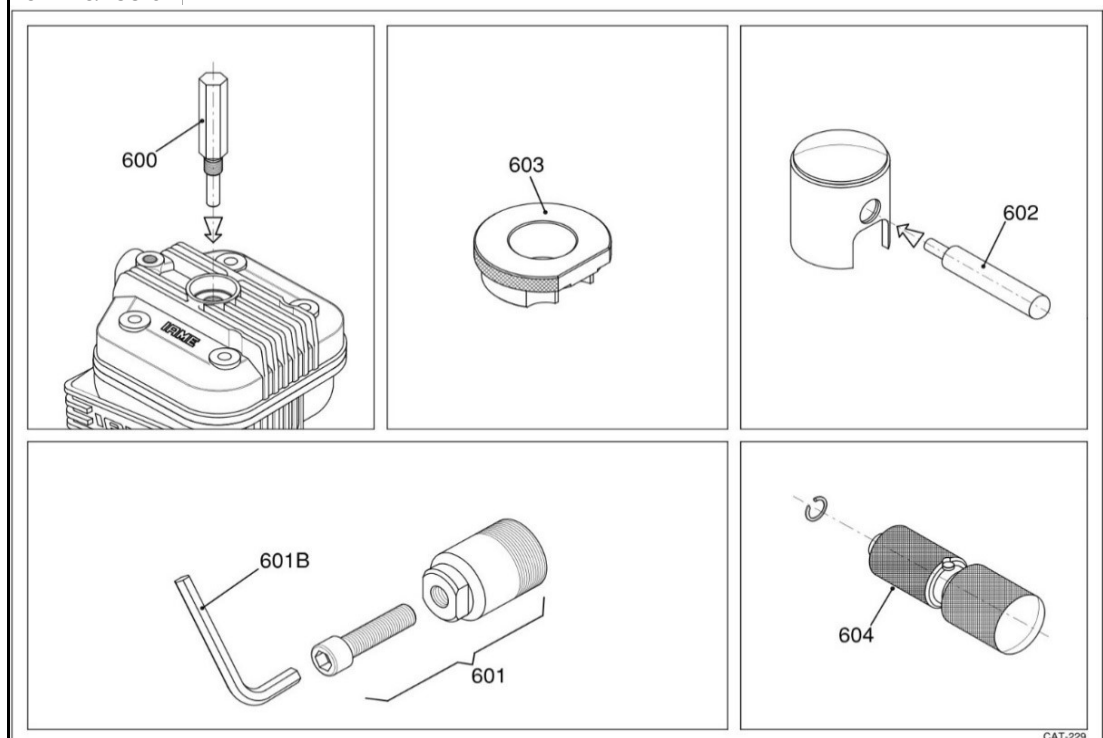


USM-008

196	354.070	Inlet gasket Swift 60cc 22mm (A-61822)
197	346.600	Carburettor spacer 11.5-21/27mm >MINI 2007<
198	281.035	Inlaat tapeind M6x49.5mm >Mini Swift-Pro M / Waterswift<
200	340.700	Carburateur HW-31A >Mini Swift-Pro M / Waterswift<
202	580.240	Noise filter rubber with filter >X30<
203	346.605	Carburettor spacer 26x15mm >Mini Swift-Pro M / Waterswift<
205	354.050	Inlet gasket Swift 60cc 27mm (B-71822)
220	580.250	Noise filter complete with rubber >Mini -Pro<

MINI SWIFT PRO-M

PULLER & TOOLS

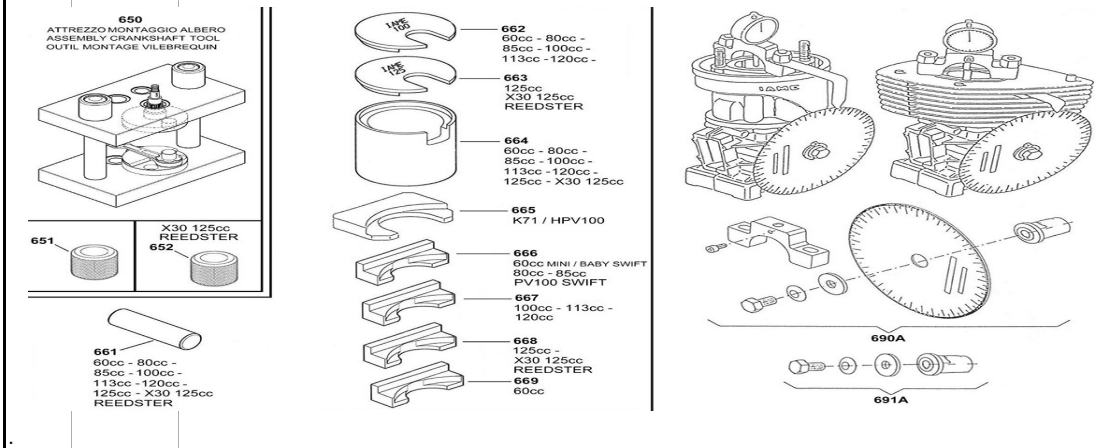


CAT-229

600	KA82	PISTON STROKE LOCKER
6001	573.500	Clutch puller Leopard / Swift 2007
602	574.100	Pistonpendrukker MINI - 12mm
603	573.513	Starter drive wheel look tool
604	574.036	Circlip assembling tool 12mm

MINI SWIFT PRO-M

CRANKSHAFT ASS./DISASS. TOOL & TIMING GROUP LS



650	574.101	Crankshaft assembly tool
651	574.102	crankpin bush 18mm Waterswift M-pro
661	574.104	Crankpin pusher
662	574.116	Crankshaft plate >MINI<
664	574.115	Crankshaft disassembling tool without plate
666	574.105	Vulstuk krukas demontage >Mini<
690A	KA86	TIMING CHECK DISC TaG/REEDSTER
691A	KA87	TIMING CHECK DISC ADAPTER M10