

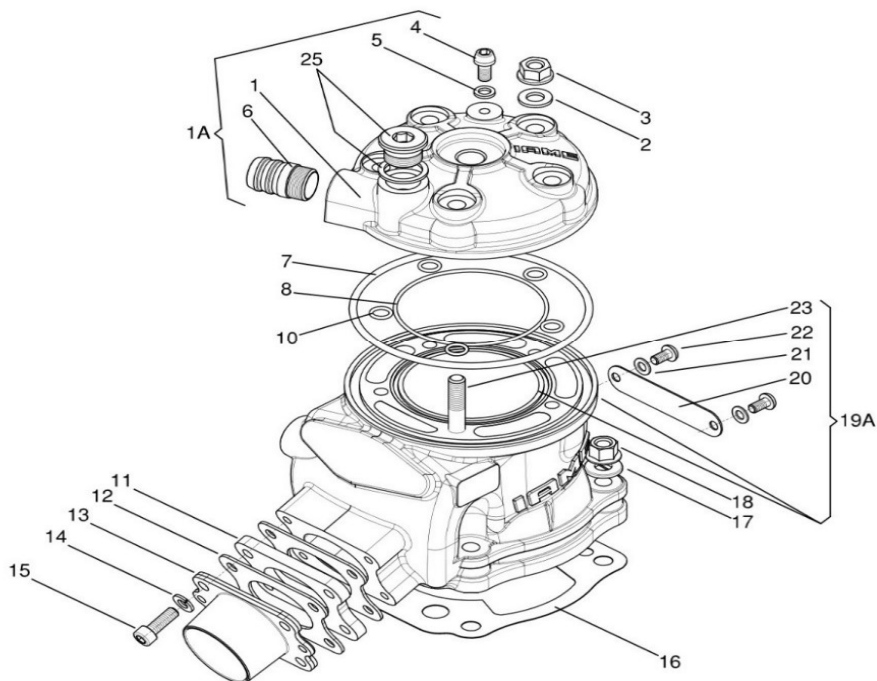
X30 Super

pos	code	description
0	201.520	Parilla X30 super complete engine



X30 Super

HEAD AND CYLINDER

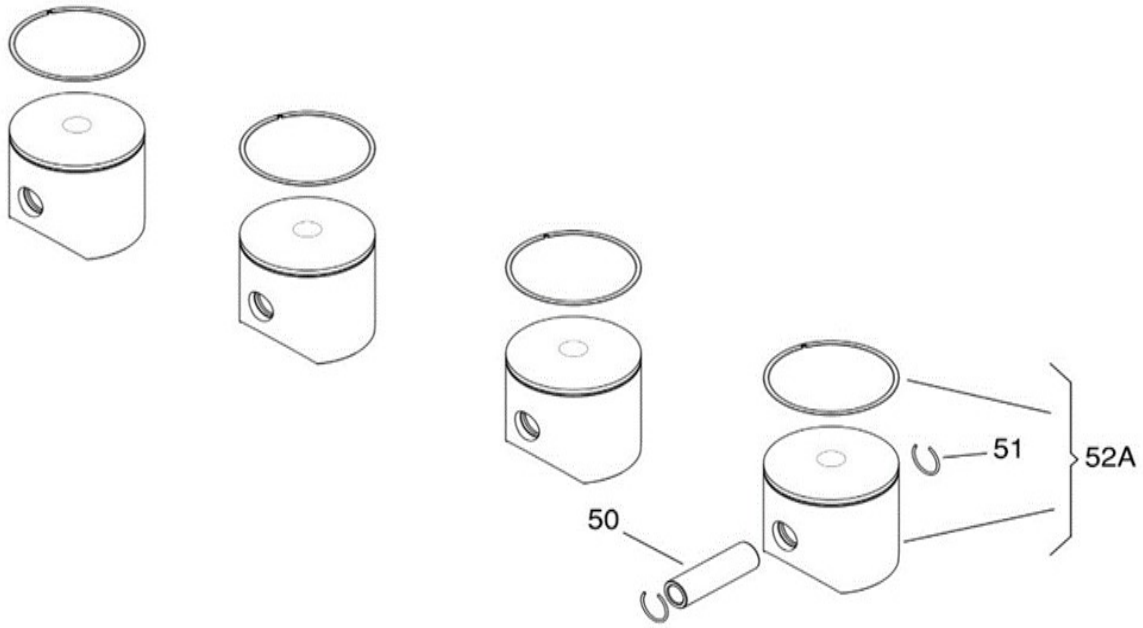


SX-002

1	212.065	Cilinderkop 30-SUPER
2	211.100	Kopmoer ring >X30 SUPER - SHIFTER<
5	282.200	Copper gasket 6mm
6	213.220	Slangaansluiting Parilla >X30 - OK'19 - OKJ'19<
7	214.743	Head O-ring outside Reedster OK / KZ/X30 super
8	214.775	Kop O-ring cilinderbus >X30 Super / S. Shifter<
10	214.760	Kop O-ring >X30 / KF / KZ KLEIN<
11	214.520	Exhaust manifold spacer >X30 SUPER / SUPER-SHIFTER<
12	214.524	Exhaust gasket >X30 Super-Shifter<
10	265.202	Exhaust manifold >X30 SUPER<
16	214.182	Base gasket X30 Super / Super-shifter / KZ 0,2,0mm
16	214.183	Base gasket X30 super / Super-shifter / KZ 0,40mm
16	214.184	Base gasket X30 Super / Super-shifter / KZ 0,50mm
17	211.101	Head ring washer X30 super
18	211.200	Moer 8mm cylinder >REEDSTER OK'18 / KZ / X30 SHIFTER<
019A	213.181	Cilinder PARILLA X30 >super<
20	213.186	Name plate X30 super
23	276.216	STUD BOLT M8x57.7
25	213.235	Cylinderkop plug M18x1,5

X30 Super

PISTONS

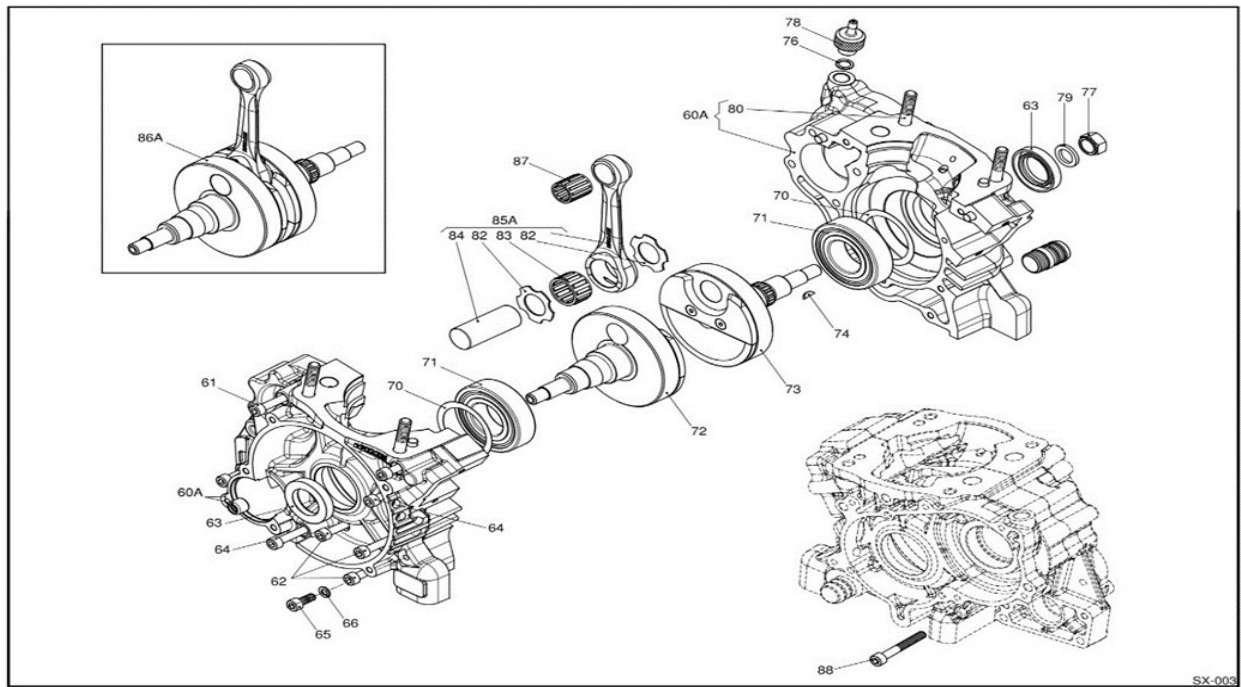


SX-001

50	217.045	Pistonpin 15x49 >X30 Super / Super-Shifter<
51	218.200	Circlip piston pin >X30 Super-Shifter-OK< >15mm<
52A	216.100	Piston+ring+pistonpin 63.78V
52A	216.102	Piston+ring+pistonpin 63.80V
52A	216.104	Piston+ring+pistonpin 63.82V
52A	216.106	Piston+ring+pistonpin 63.84V
52A	216.108	Piston+ring+Pistonpin 63.86V
52A	216.110	Piston+ring+Pistonpin 63.88V
52A	216.112	Piston+ring+Pistonpin 63.90V
52A	216.114	Piston+ring+Pistonpin 63.92V
52A	216.116	Zuiger+veer+Pistonpen 63.94V

X30 Super

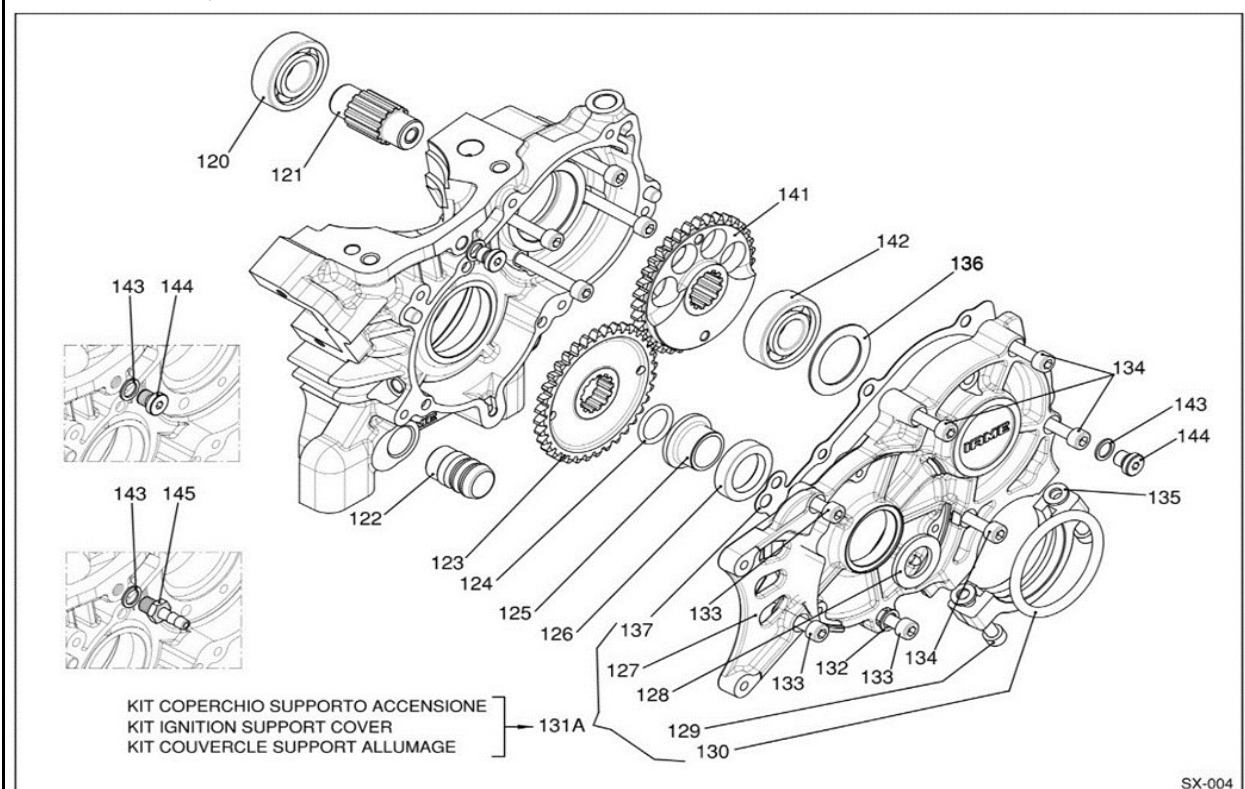
CRANKCASE AND CRANKSHAFT



60A	236.312	CRANKCASE PARILLA X30 SUPER
62	236.222	KIT 20 PCS. CRANKCASE ALLEN SCREW 6X45mm
63	223.510	Oil seal 25x40x7 >Dr.+Magn. side< X30+KF+OK
66	900.004	Washer 6-12x1,5mm
70	225.116	Shim 0.05mm PARILLA X30
70	225.110	SHIM 0.10mm PARILLA X30
	225.115	SHIM 0.15mm PARILLA X30
71	224.135	Crankshaft bearing >X30 SKF 6206-C4<
72	226.190	HALF CRANKSHAFT DRIVE SIDE PARILLA X-30 SUPER
73	226.193	HALF CRANKSHAFT IGN. SIDE PARILLA X-30 SUPER
74	227.100	Key ignition >X30< 9.66X3.7X2.5
76	228.112	Pressure fitting gasket >Screamer / X30 Super<
77	244.010	Magneto nut M10 - X30
78	228.099	Oil drain / refill plug >Screamer 3 / X30 Super<
79	900.075	KIT 20 PCS WASHER M10x18x1.6 FOR ROTOR
80	276.200	Cylinderkop tapeind M8x35 >S.Shifter / OK / OKJ / Screamer
82	KA44	SILVER BRONZE WASHER
83	221.200	Big-end cage >X-30 / OK / KF / KZ<
84	220.106	Crankpin 20x48.8 OK-OKJ >S1699/1<
085A	219.310	CONROD 104mm COMPLETE >X30 SUPER<
086A	226.116	CRANKSHAFT COMPLETE PARILLA X30 SUPER
87	277.205	Little end cage >X30 Shifter / KZ / OK<
88	900.926	SCREWS 6x55

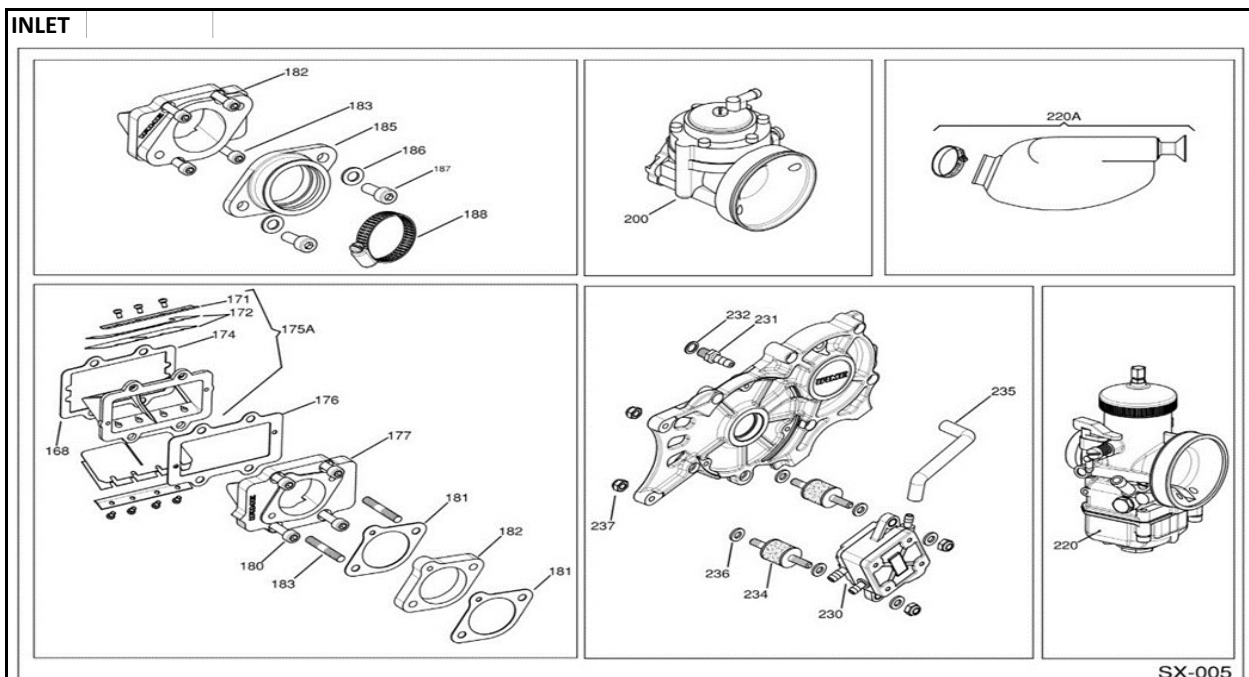
X30 Super

BALANCING SHAFT



120	282.057	Ball bearing balance shaft 6203 >X30 Super / OK - OKJ<
121	282.066	BALANCE GEAR DRIVE SHAFT X30 SUPER
122	213.220	Slangaansluiting Parilla >X30 - OK'19 - OKJ'19<
123	282.071	BALANCE GEAR X30 SUPER
124	282.100	O-R for balancing shaft gear >Parilla X30<
125	282.105	Gear spacer >Parilla X30<
126	223.520	Oil seal cover ignition side >Parilla X30 - 22X32X7<
127	282.172	COVER IGNITION SIDE PARILLA X30 X30 SUPER
128	330.216	ROTOR SPACER WASHER X30 SUPER
130	282.090	Dampener O-R for starter >Parilla X30 / REEDSTER<
131A	282.172	COVER IGNITION SIDE PARILLA X30 X30 SUPER
132	282.200	Copper gasket 6mm
135	900.004	Washer 6-12x1,5mm
137	282.112	COVER GASKET PARILLA X-30 SUPER
141	282.067	COUNTERBALANCE SHAFT SUPER
142	282.057	Ball bearing balance shaft 6203 >X30 Super / OK - OKJ<
143	228.110	Pressure fitting gasket 8mm >OK / X30 / KZ<
144	236.350	Oil plug >OK / KZ <
145	228.098	Pressure fitting >X30

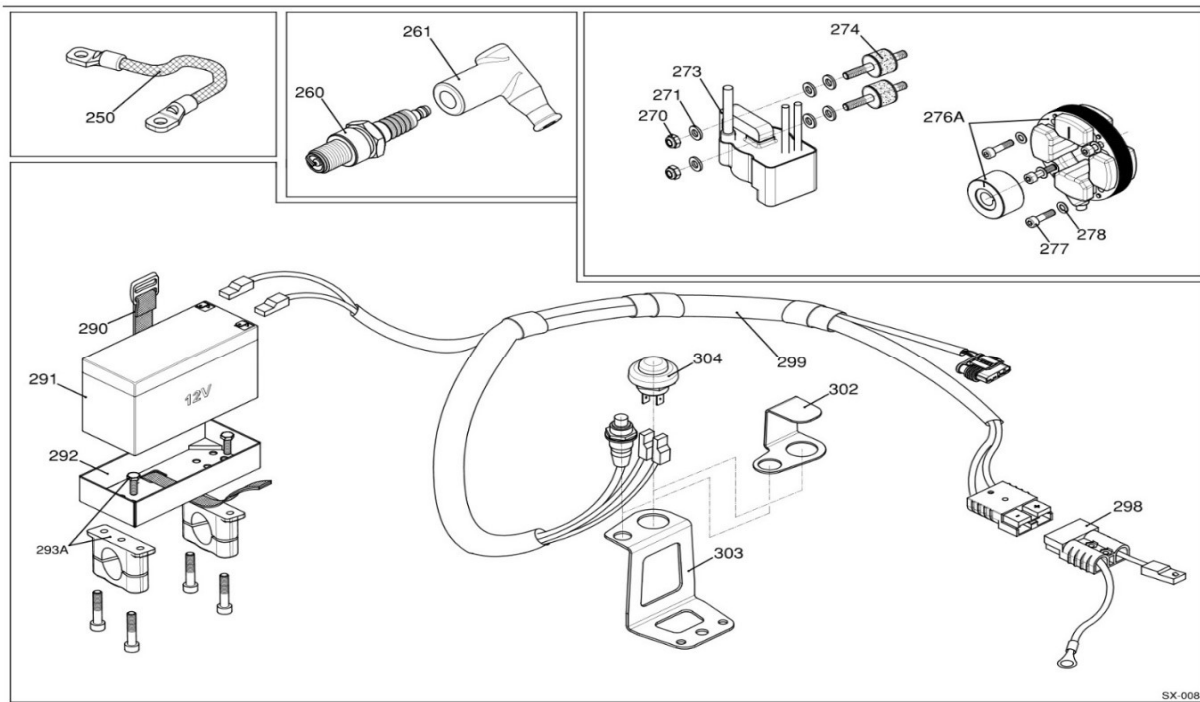
X30 Super



170	228.105	GASKET REED-GROUP/CRANKCASE >X30 SUPER<
171	228.255	Reed group clip >OK / OKJ<
172	228.230	Reed petal set 0.26 complete >X30 SUPER - REEDSTER<
174	228.105	GASKET REED-GROUP/CRANKCASE >X30 SUPER<
175A	228.320	REED GROUP >X30 SUPER<
176	228.005	GASKET REEDGROUP/MANIFOLD >X30 SUPER<
177	228.021	INLET MANIFOLD >X30 SUPER<
181	354.062	Inlet gasket >X30 Super<
182	228.022	Inlet manifold spacer >X30 SUPER<
200	340.158	Carburettor Tillotson HB10A X30 Super
220A	580.242	NOISE FILTER -RR- "NOX" 30MM RED - CHROME

X30 Super

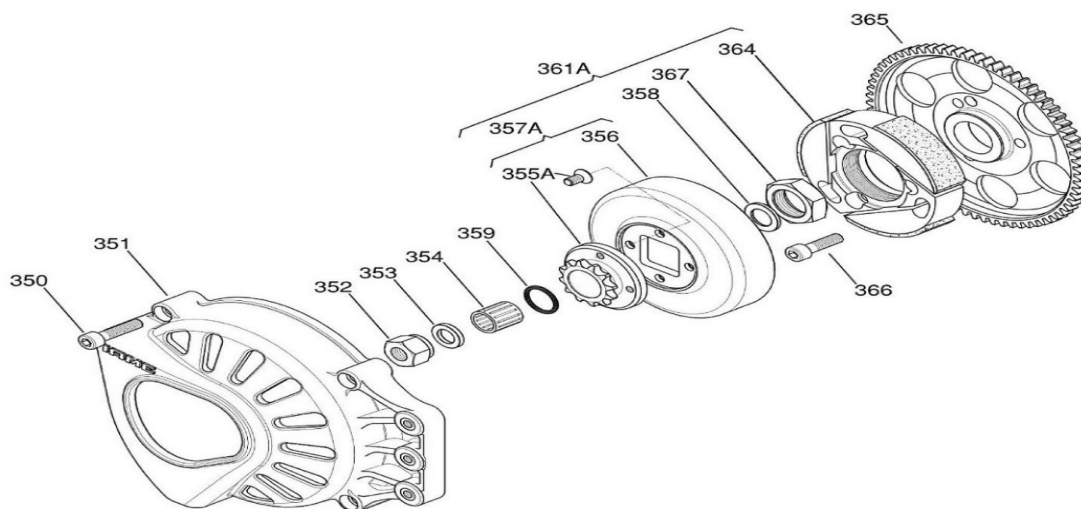
ELECTRONIC IGNITION



250	330.803	Ground cable Parilla all models
260	503.051	Spark plug >NGK BR10EG<
261	237.505	Spark plug cap PVL >X30 / MINI<
270	KA79	20 SELF LOCKING NUTS KIT M6
271	900.004	Washer 6-12x1,5mm
273	330.852	Coil / CDI box X30 >C< >2016<
274	335.105	Coil dampener >Parilla X30 / S. Shifter<
276A	330.684	Ignition Selettra >Parilla X30 - 2016<
290	330.812	Battery fixing belt >X30 / MINI<
292	330.808	Battery support Parilla X-30 / MINI
293A	330.901	Battery support clamb 30mm >after 2013<
293A	330.902	Battery support clamb 32mm >after 2013<
298	330.325	Starter cable with red connector
299	330.877	Cables w/connectors Parilla X30 >2020<
302	330.904	Security bracket start button >X30 '20 / Mini GR-3<
303	330.908	Button support plate X30 >2020<
304	330.867	Start button >Parilla X30 - 2016<

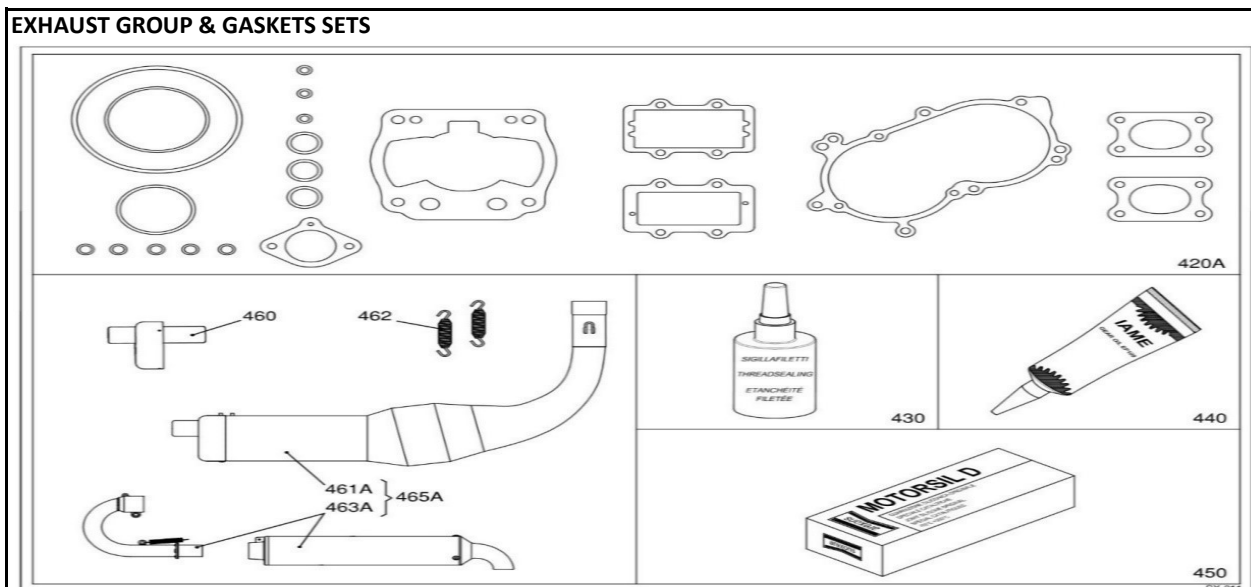
X30 Super

CLUTCH GROUP



351	291.211	Clutch cover >X-30 SUPER<
352	290.730	Sprocket nut clutch >IAME<
353	290.740	Thrust washer external >X30 / MINI<
354	291.380	Clutch roller cage >Parilla X30 - SWIFT 60cc<
355A	291.348	Sprocket T-10 >Mini - X30<
355A	291.347	Sprocket T-11 >Mini - X30<
355A	291.346	Sprocket T-12 >Mini - X30<
355A	291.349	Sprocket T-13 >Mini - X30
356	291.335	Sprocket drum >Parilla X30<
357A	KA64	CLUTCH DRUM BLIND + SPR Z10*
357A	KA65	CLUTCH DRUM BLIND + SPR Z11*
357A	KA66	CLUTCH DRUM BLIND + SPR Z12*
358	290.880	Thrust washer internal 1.8mm
359	291.381	Clutch drum OR >Parilla X30 / MINI<
361A	KA67	CLUTCH GROUP Z10
361A	KA68	CLUTCH GROUP Z11
361A	KA69	CLUTCH GROUP Z12
364	291.421	Clutch for Parilla X30 >2013<
365	291.512	Starter wheel >Parilla X30< >2013<
367	291.442	Locking nut for clutch >Parilla X30< -2013-

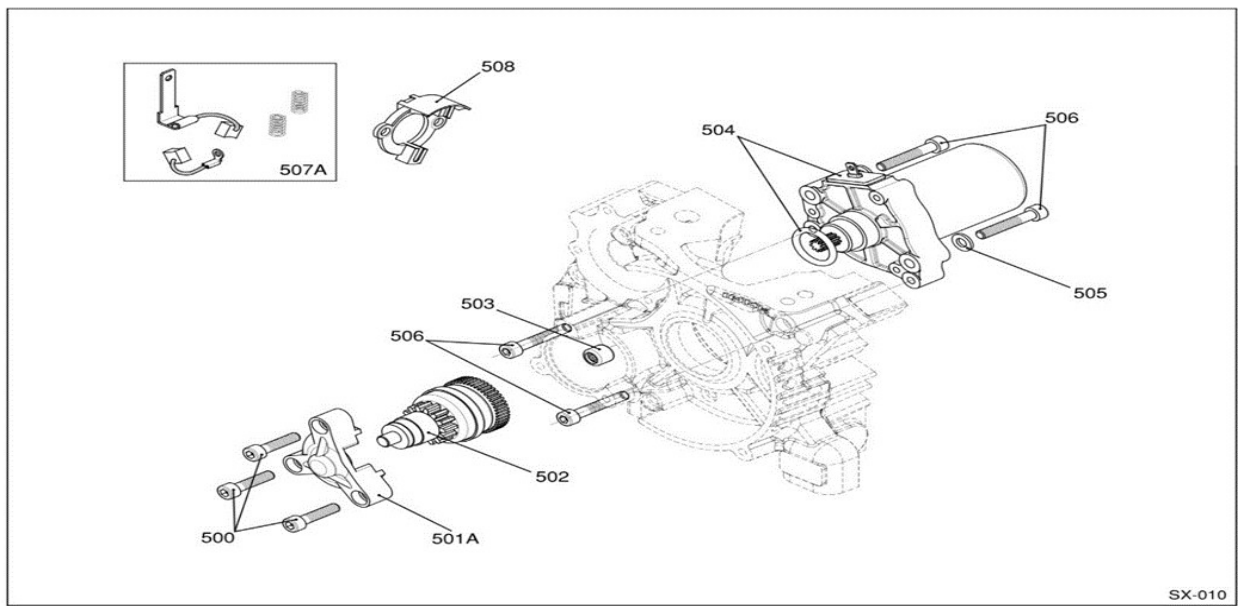
X30 Super



420A	214.907	Pakkingset X30 >super<
430	575.005	Pipe fitting seal >IAME<
440	550.571	PM Xeramic® Kart Gear Oil 1 l
450	575.000	Silikon 250 special gasket
460	267.502	Silencer eind Parilla >X30 SUPER<
461A	267.165	EXHAUST SILENCER PARILLA -X30 SUPER-
462	280.205	Exhaust spring >X30 2019 S. Shifter / Screamer / OK<
463A	267.555	Additional silencer kit >Parilla X30<

X30 Super

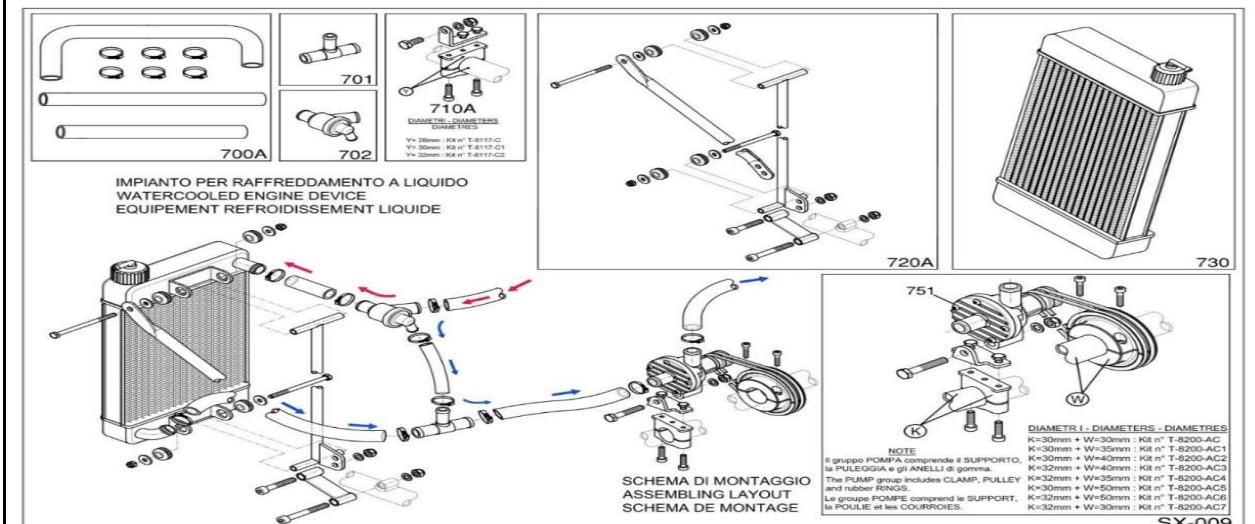
ELECTRIC STARTER GROUP



501A	291.728	Countershaft support >X30 SUPER<
502	291.720	Countershaft for Parilla X30
503	291.711	Roller cage for bendix Mlni GR-3 / X30 / Mini-pro
504	291.700	Starter for Parilla X30 >A-120851A<
505	900.004	Washer 6-12x1,5mm
507A	330.826	Brushes kit for starter A-120850

X30 Super

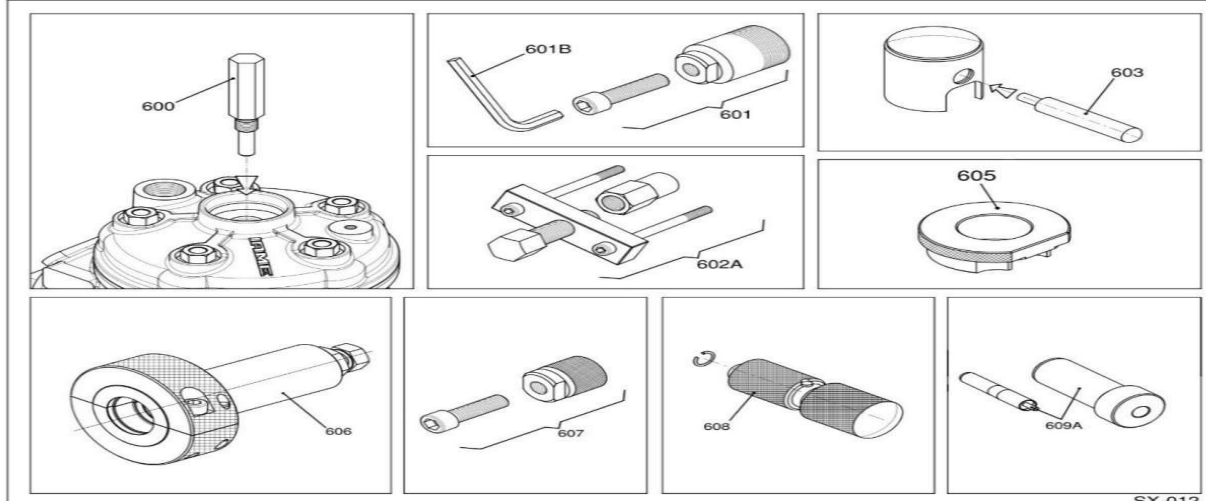
WATER COOLING SYSTEM



700A	196.170	WATER PIPE KIT >PARILLA X30 SHIFTER<
701	299.945	WATER PIPE 3-WAY FITTING >PARILLA<
702	299.947	THERMOSTAT 3-WAY >PARILLA<
710A	299.927	Radiator clamb kit complete >MINI SWIFT 28mm<
710A	299.912	RADIATOR CLAMB KIT 30mm
720A	299.913	RADIATOR CLAMB KIT 32mm
730	299.935	RADIATOR SUPPORT COMPLETE -PARILLA X30 SHIFTER<
751	299.940	RADIATOR -IPARILLA X30 SHIFTER< 436X260

X30 Super

PULLER & TOOLS



600	KA82	PISTON STROKE LOCKER
601	573.506	Clutch puller X30 from 2013
601B	KA85	CLUTCH HUB PULLER WRENCH 12mm
602A	573.515	Gear puller balance shaft >REEDSTER KF<
603	574.035	Piston pin punch >15mm Super Shifter<
605	573.510	Gear lock tool >REEDSTER OK / OKJ<
606	573.520	Bearing ring puller 6205
607	572.045	Ignition puller PVL >REEDSTER OK / OKJ<
608	574.037	Circlip assembly tool 15mm